

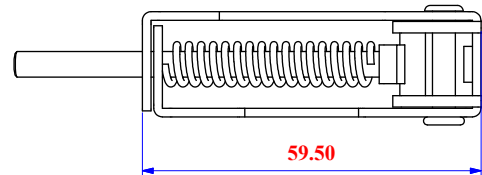
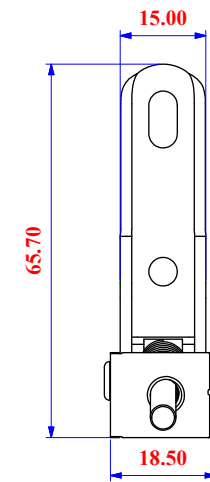
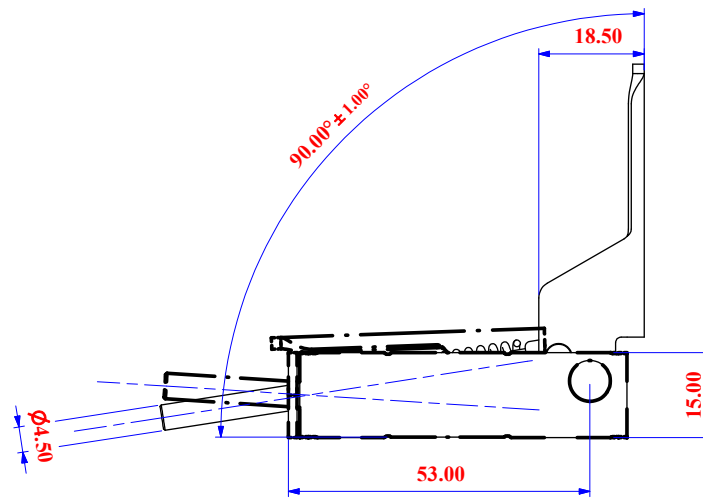
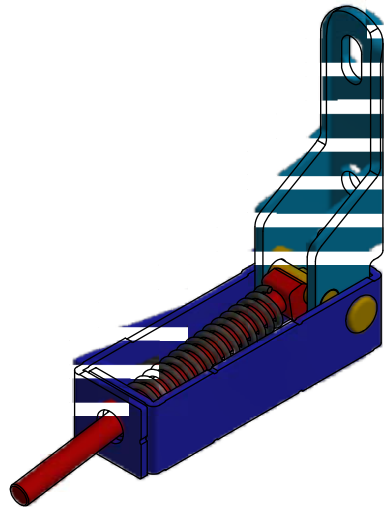

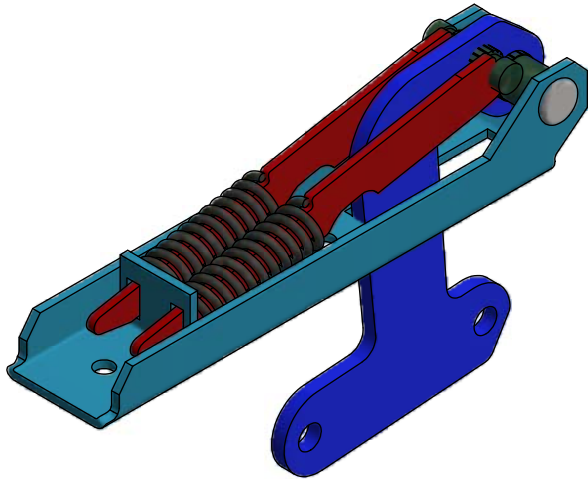
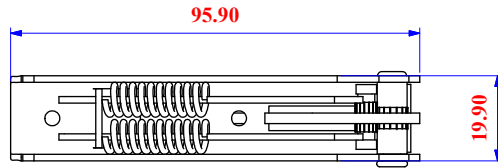
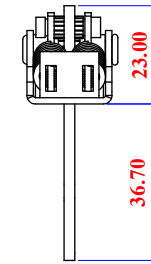
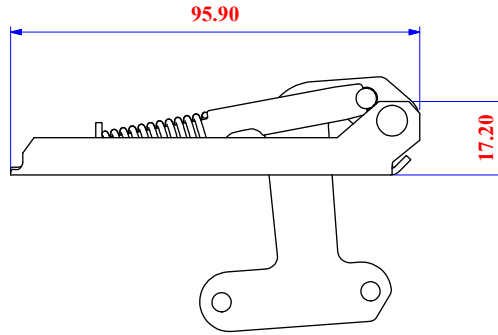



\\192.168.1.2\Inventor-Dwg\Inv_2012\all hinges\hdxx\HD10\HD10.iam														
Tolerance acc. to DIN 7168-1	Degree of Accuracy	0.5 up to 3	to 6	to 30	to 120	to 400	to 1000	to 2000	to 4000	to 8000	to 12000	to 16000	to 20000	
	f (Fine)	± 0.05	± 0.05	± 0.1	± 0.15	± 0.2	± 0.3	± 0.5	± 0.8	----	----	----	----	----
	m (Medium)	± 0.1	± 0.1	± 0.2	± 0.3	± 0.5	± 0.8	± 1.2	± 2	± 3	± 4	± 5	± 6	± 6
Material	Net Weight	Treatment		Checking Date		Approval Date		Designed by						
DD11	0.063 kg	White Galv. (7:25 micron)		6.8.2016		6.8.2016		Eng. Ashraf Md. Shabaan						
Technical Co. for Eng. Ind. (Techno)  First Industrial Zone Plot No. 6, Block 13030 El Obour City, Cairo Egypt Tel. 0020244814232 44814253 44814354 44814445 Fax. 0020244814117 www.technopyramids.com info@technopyramids.com						Item Code	HD11					Checked by		
						Item Group	FP1A					Eng. Ahmed Fathy		
Techno Oven Lower Door						Item Name	Techno Oven Lower Door					Approved by		
											Eng. Md Md Hanafy			
 TECHNO PIONEERS OF ENGINEERING INDUSTRIES						Edition		Sheet		اسم المنتج 1 1 / 27				
						1		1 / 27						

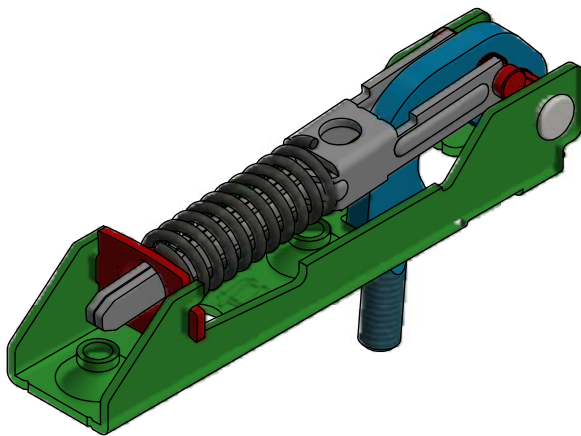
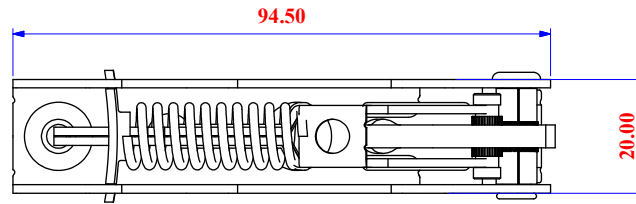
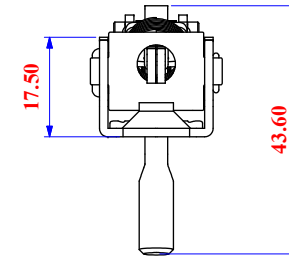
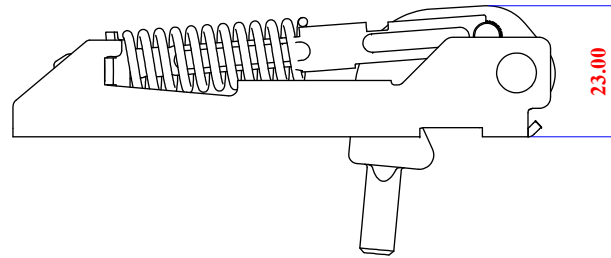



Spring Code :S0108615530-L
 spring Color : White
 Wire Diameter : \varnothing 1.5 mm
 External Diameter \varnothing 8.6- Length : 53 mm
 Total number of Coils :15
 Extremity Grinded End)

\\192.168.1.2\Inventor-Dwg\Inv_2012\all hinges\hdxx\HD10\HD12.iam													
Tolerance acc. to DIN 7168-1	Degree of Accuracy	0.5 up to 3	to 6	to 30	to 120	to 400	to 1000	to 2000	to 4000	to 8000	to 12000	to 16000	to 20000
	f (Fine)	± 0.05	± 0.05	± 0.1	± 0.15	± 0.2	± 0.3	± 0.5	± 0.8	----	----	----	----
	m (Medium)	± 0.1	± 0.1	± 0.2	± 0.3	± 0.5	± 0.8	± 1.2	± 2	± 3	± 4	± 5	± 6
Material	Net Weight	Treatment		Checking Date		Approval Date		Designed by					
DD11	0.063 kg	White Galv. (7:25 micron)		8.11.2016		8.11.2016		Eng. Ashraf Md. Shabaan					
Technical Co. for Eng. Ind. (Techno)  First Industrial Zone Plot No. 6, Block 13030 El Obour City, Cairo Egypt Tel. 0020244814232 44814253 44814354 44814445 Fax. 0020244814117 www.technopyramids.com info@technopyramids.com				Item Code	HD12					Checked by			
				Item Group	FP1A					Eng. Ahmed Fathy			
Techno Oven Lower Door مفصلة درج التسخين				Item Name	Techno Oven Lower Door					Approved by			
				Asm المنتج		Eng. Md Md Hanafy							
				Edition	Sheet								
				1	2 / 27								



\\192.168.1.2\Inventor-Dwg\Inv_2012\all hinges\hdxx\HD30\HD30.iam													
Tolerance acc. to DIN 7168-1	Degree of Accuracy	0.5 up to 3	to 6	to 30	to 120	to 400	to 1000	to 2000	to 4000	to 8000	to 12000	to 16000	to 20000
	f (Fine)	± 0.05	± 0.05	± 0.1	± 0.15	± 0.2	± 0.3	± 0.5	± 0.8	----	----	----	----
	m (Medium)	± 0.1	± 0.1	± 0.2	± 0.3	± 0.5	± 0.8	± 1.2	± 2	± 3	± 4	± 5	± 6
Material	Net Weight	Treatment		Checking Date		Approval Date		Designed by					
DD11	0.086 kg	White Galv. (7:25 micron)		7.8.2016		7.8.2016		Eng. Ashraf Md. Shabaan					
Technical Co. for Eng. Ind. (Techno)  First Industrial Zone Plot No. 6, Block 13030 El Obour City, Cairo Egypt Tel. 0020244814232 44814253 44814354 44814445 Fax. 0020244814117 www.technopyramids.com info@technopyramids.com				Item Code	HD30						Checked by		
				Item Group	FP1A						Eng. Ahmed Fathy		
Techno Oven Lower Door Hinge مفصلة درج التسخين				Item Name	Techno Oven Lower Door Hinge						Approved by		
				اسم المنتج						Eng. Md Md Hanafy			
				Edition	1						Sheet		
										3 / 27			



\\192.168.1.2\Inventor-Dwg\Inv_2012\all hinges\hdxx\HD41\hd41.iam													
Tolerance acc. to DIN 7168-1	Degree of Accuracy	0.5 up to 3	to 6	to 30	to 120	to 400	to 1000	to 2000	to 4000	to 8000	to 12000	to 16000	to 20000
	f (Fine)	± 0.05	± 0.05	± 0.1	± 0.15	± 0.2	± 0.3	± 0.5	± 0.8	----	----	----	----
	m (Medium)	± 0.1	± 0.1	± 0.2	± 0.3	± 0.5	± 0.8	± 1.2	± 2	± 3	± 4	± 5	± 6
Material	Net Weight	Treatment			Checking Date		Approval Date		Designed by				
DD11	0.048 kg	White Galv. (7:25 micron)			9.8.2016		9.8.2016		Eng. Ashraf Md. Shabaan				
Technical Co. for Eng. Ind. (Techno)					Item Code		HD41		Checked by				
 First Industrial Zone Plot No. 6, Block 13030 El Obour City, Cairo Egypt Tel. 0020244814232 44814253 44814354 44814445 Fax. 0020244814117 www.technopyramids.com info@technopyramids.com					Item Group		FP1A		Approved by				
					Item Name		Techno Oven Lower Door hinge		Eng. Md Md Hanafy		Edition	Sheet	
مفصلة باب سفلى							اسم المنتج		1	4 / 27			