

Spring Code :S0116835660-A-WG
spring Color : White

Wire Diameter : \varnothing 3.5 mm

External Diameter \varnothing 16.8mm- Length : 66 mm


Total number of Coils :12

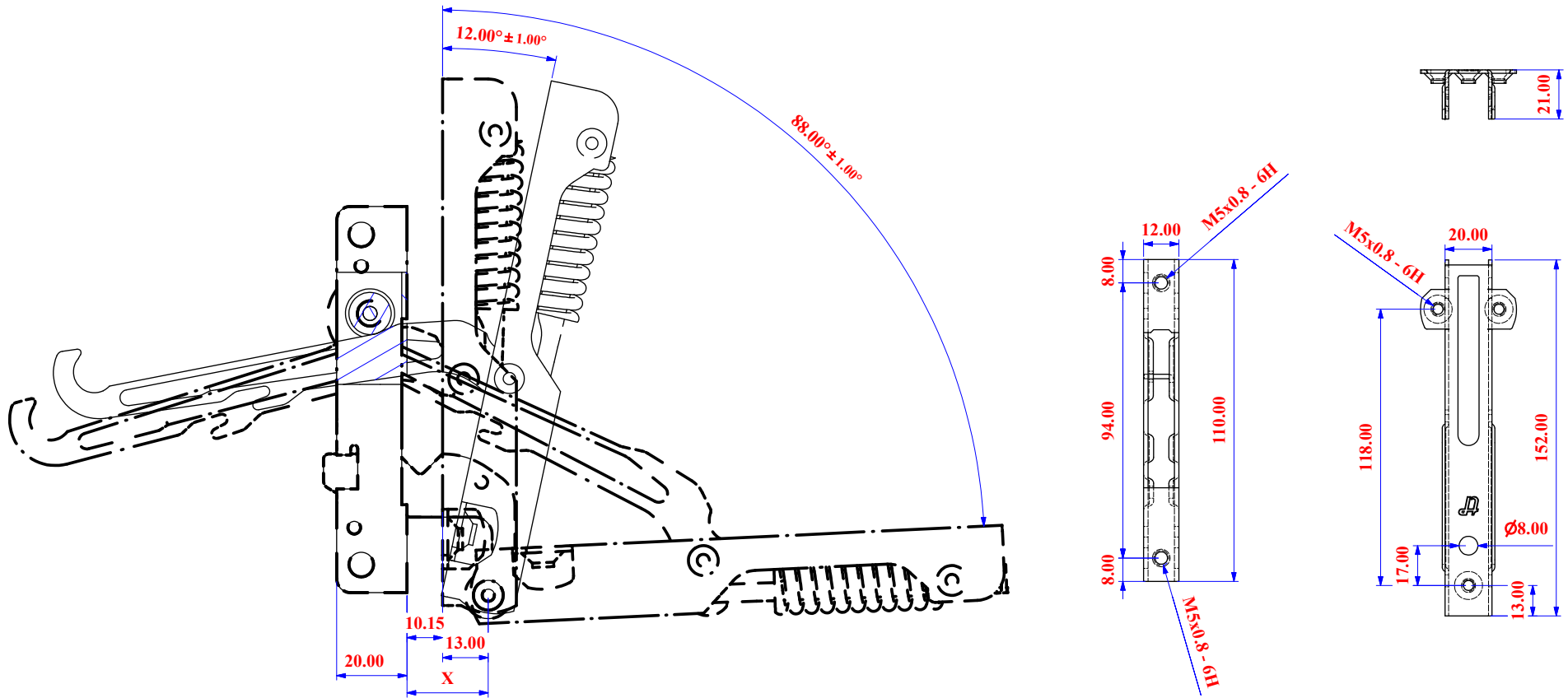
Extremity Grinded End

Working Load (3.5:6.0) Kgf.

Dim X : Can be Produced as per Client Request due to oven Dimension.

Dim. X = (23 :25)mm. (the most common value)

| \\192.168.1.2\Inventor-Dwg\Inv_2012\all hinges\old\mod Mh10.iam | | | | | | | | | | | | | |
|---|--------------------|------------------------------------|---------------|---------------|--|-----------------|---------|---------|---------|---------|----------|----------|----------|
| Tolerance acc. to DIN 7168-1 | Degree of Accuracy | 0.5 up to 3 | to 6 | to 30 | to 120 | to 400 | to 1000 | to 2000 | to 4000 | to 8000 | to 12000 | to 16000 | to 20000 |
| | f (Fine) | ± 0.05 | ± 0.05 | ± 0.1 | ± 0.15 | ± 0.2 | ± 0.3 | ± 0.5 | ± 0.8 | ---- | ---- | ---- | ---- |
| | m (Medium) | ± 0.1 | ± 0.1 | ± 0.2 | ± 0.3 | ± 0.5 | ± 0.8 | ± 1.2 | ± 2 | ± 3 | ± 4 | ± 5 | ± 6 |
| Material | Net Weight | Treatment | Checking Date | Approval Date | Designed by | | | | | | | | |
| Steel | 0.257 kg | yellow Galvanized (7:25 micron) | 22.8.2016 | 22.8.2016 | Eng. Ashraf Md. Shabaan | | | | | | | | |
| Technical Co. for Eng. Ind. (Techno)  First Industrial Zone Plot No. 6, Block 13030 El Obour City, Cairo Egypt Tel. 0020244814232 44814253 44814354 44814445 Fax. 0020244814117 www.technopyramids.com info@technopyramids.com | | | | | Item Code | MH10 | | | | | | | |
| | | | | | Item Group | FP1A | | | | | | | |
| Checked by Eng. Ahmed Fathy Approved by Eng. Md Md Hanafy | | | | | Item Name | Main Door Hinge | | | | | | | |
| | | | | | اسم المنتج مفصلة باب الفرن الرئيسية | Edition | Sheet | | | | | | |
| | | | | | 1 | 5 / 27 | | | | | | | |



Spring Code :S0116835660-A-WG
spring Color : White

Wire Diameter : \varnothing 3.5 mm

External Diameter \varnothing 16.8mm- Length : 66 mm

Total number of Coils :12
Extremity Grinded End

Working Load (3.5:6.0) Kgf.

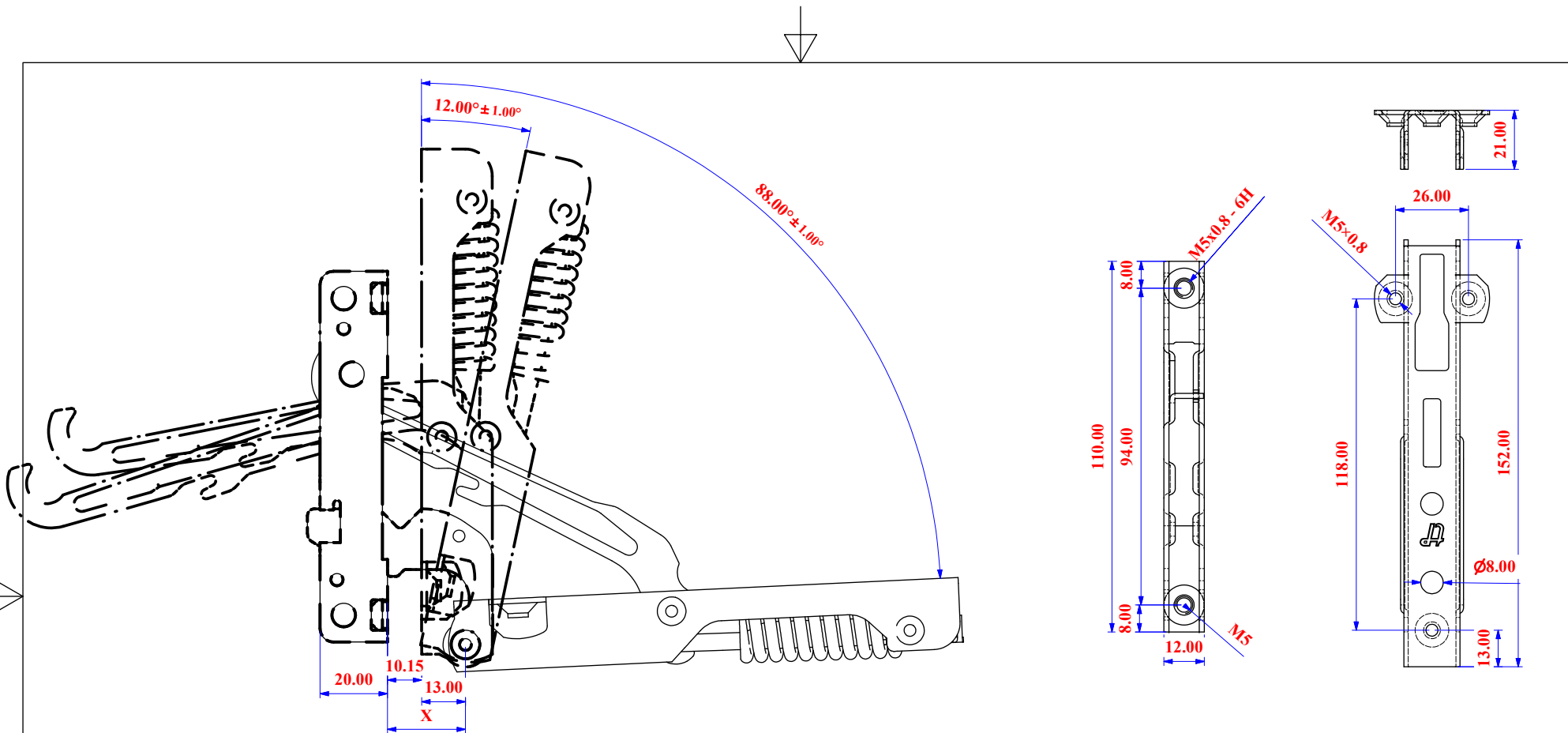
Dim X : Can be Produced as per Client Request due to oven Dimension.

Dim. X = (23 :25)mm. (the most common value)

\\192.168.1.2\Inventor-Dwg\Inv_2012\all hinges\old\FINAL MH11.iam

| Tolerance acc. to DIN 7168-1 | Degree of Accuracy | 0.5 up to 3 | to 6 | to 30 | to 120 | to 400 | to 1000 | to 2000 | to 4000 | to 8000 | to 12000 | to 16000 | to 20000 | |
|---|--------------------|------------------------------------|--------|-----------------------|--------|-----------------|---------|-------------------------|---------|---------|----------|----------|----------|--|
| | f (Fine) | ± 0.05 | ± 0.05 | ± 0.1 | ± 0.15 | ± 0.2 | ± 0.3 | ± 0.5 | ± 0.8 | ---- | ---- | ---- | ---- | |
| | m (Medium) | ± 0.1 | ± 0.1 | ± 0.2 | ± 0.3 | ± 0.5 | ± 0.8 | ± 1.2 | ± 2 | ± 3 | ± 4 | ± 5 | ± 6 | |
| Material | Net Weight | Treatment | | Checking Date | | Approval Date | | Designed by | | | | | | |
| DD11 | 0.257 kg | yellow Galvanized (7:25 micron) | | 27.9.2016 | | 27.9.2016 | | Eng. Ashraf Md. Shabaan | | | | | | |
| Technical Co. for Eng. Ind. (Techno) | | | | Item Code | | MH11 | | Checked by | | | | | | |
|  First Industrial Zone Plot No. 6, Block 13030 El Obour City, Cairo Egypt Tel. 0020244814232 44814253 44814354 44814445 Fax. 0020244814117 www.technopyramids.com info@technopyramids.com | | | | Item Group | | FP1A | | Approved by | | | | | | |
| | | | | Item Name | | Main Door Hinge | | Eng. Md Md Hanafy | | Edition | | Sheet | | |
| | | | | 55x55 مفصلة باب الفرن | | اسم المنتج | | 1 | | 6 / 27 | | | | |





Spring Code :S0116835660-A-WG
spring Color : White

Wire Diameter : \varnothing 3.5 mm

External Diameter \varnothing 16.8mm- Length : 67 mm

Total number of Coils :12





Extremity Grinded End

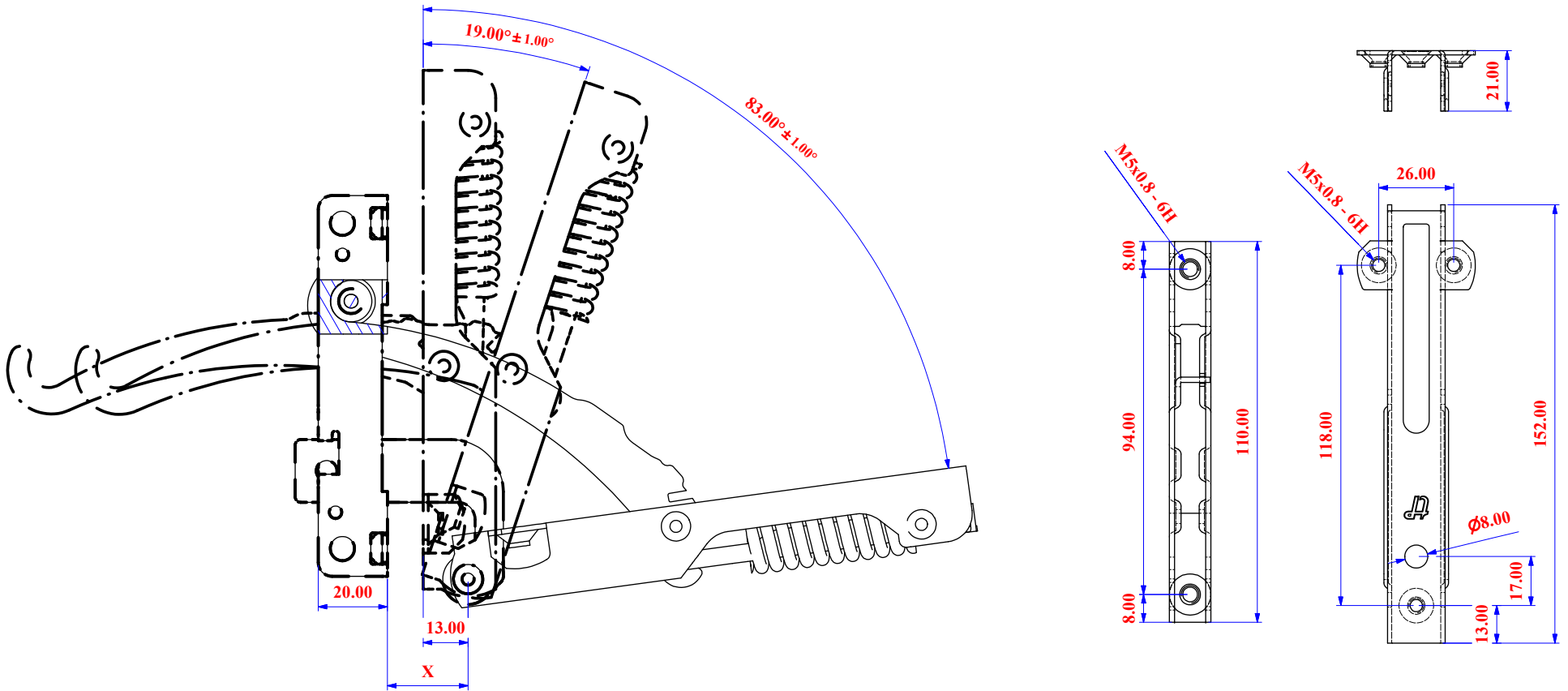
Working Load (3.5:6.0) Kgf.

closing Force of Oven Door (3.5:4.5) Kgf.

Dim X : Can be Produced as per Client Request due to oven Dimension.

Dim. X = (23 :25)mm. (the most common value)

| \\192.168.1.2\Inventor-Dwg\Inv_2012\all hinges\MH34\MB112013100.ipt | | | | | | | | | | | | | |
|---|--------------------|-------------------------------|---------------|---------------|---|-----------------|-----------|-----------|-----------|--------------------------|----------|------------|----------|
| Tolerance acc. to DIN 7168-1 | Degree of Accuracy | 0.5 up to 3 | to 6 | to 30 | to 120 | to 400 | to 1000 | to 2000 | to 4000 | to 8000 | to 12000 | to 16000 | to 20000 |
| | f (Fine) | ± 0.05 | ± 0.05 | ± 0.1 | ± 0.15 | ± 0.2 | ± 0.3 | ± 0.5 | ± 0.8 | ---- | ---- | ---- | ---- |
| | m (Medium) | ± 0.1 | ± 0.1 | ± 0.2 | ± 0.3 | ± 0.5 | ± 0.8 | ± 1.2 | ± 2 | ± 3 | ± 4 | ± 5 | ± 6 |
| Material | Net Weight | Treatment | Checking Date | Approval Date | Designed by | | | | | | | | |
| DD11 | 0.257 kg | Yellow Galv. (7:25 micron) | 10.10.2016 | 10.10.2016 | Eng. Ashraf Md. Shabaan | | | | | | | | |
| Technical Co. for Eng. Ind. (Techno)  First Industrial Zone Plot No. 6, Block 13030 El Obour City, Cairo Egypt Tel. 0020244814232 44814253 44814354 44814445 Fax. 0020244814117 www.technopyramids.com info@technopyramids.com | | | | | Item Code | MH12 | | | | | | | |
| | | | | | Item Group | FP1A | | | | | | | |
| Technical Co. for Eng. Ind. (Techno)  First Industrial Zone Plot No. 6, Block 13030 El Obour City, Cairo Egypt Tel. 0020244814232 44814253 44814354 44814445 Fax. 0020244814117 www.technopyramids.com info@technopyramids.com | | | | | Item Name | Main Door Hinge | | | | | | | |
| | | | | | Technical Co. for Eng. Ind. (Techno)  First Industrial Zone Plot No. 6, Block 13030 El Obour City, Cairo Egypt Tel. 0020244814232 44814253 44814354 44814445 Fax. 0020244814117 www.technopyramids.com info@technopyramids.com | | | | | 12 مفصلة باب فرن - موديل | | اسم المنتج | |
| Technical Co. for Eng. Ind. (Techno)  First Industrial Zone Plot No. 6, Block 13030 El Obour City, Cairo Egypt Tel. 0020244814232 44814253 44814354 44814445 Fax. 0020244814117 www.technopyramids.com info@technopyramids.com | | | | | | | | | | 12 مفصلة باب فرن - موديل | | اسم المنتج | |



Spring Code :S0116835660-A-WG
spring Color : White

Wire Diameter : \varnothing 3.5 mm

External Diameter \varnothing 16.8mm- Length : 67 mm

Total number of Coils :12

Extremity Grinded End

Working Load (3.5:6.0) Kgf.

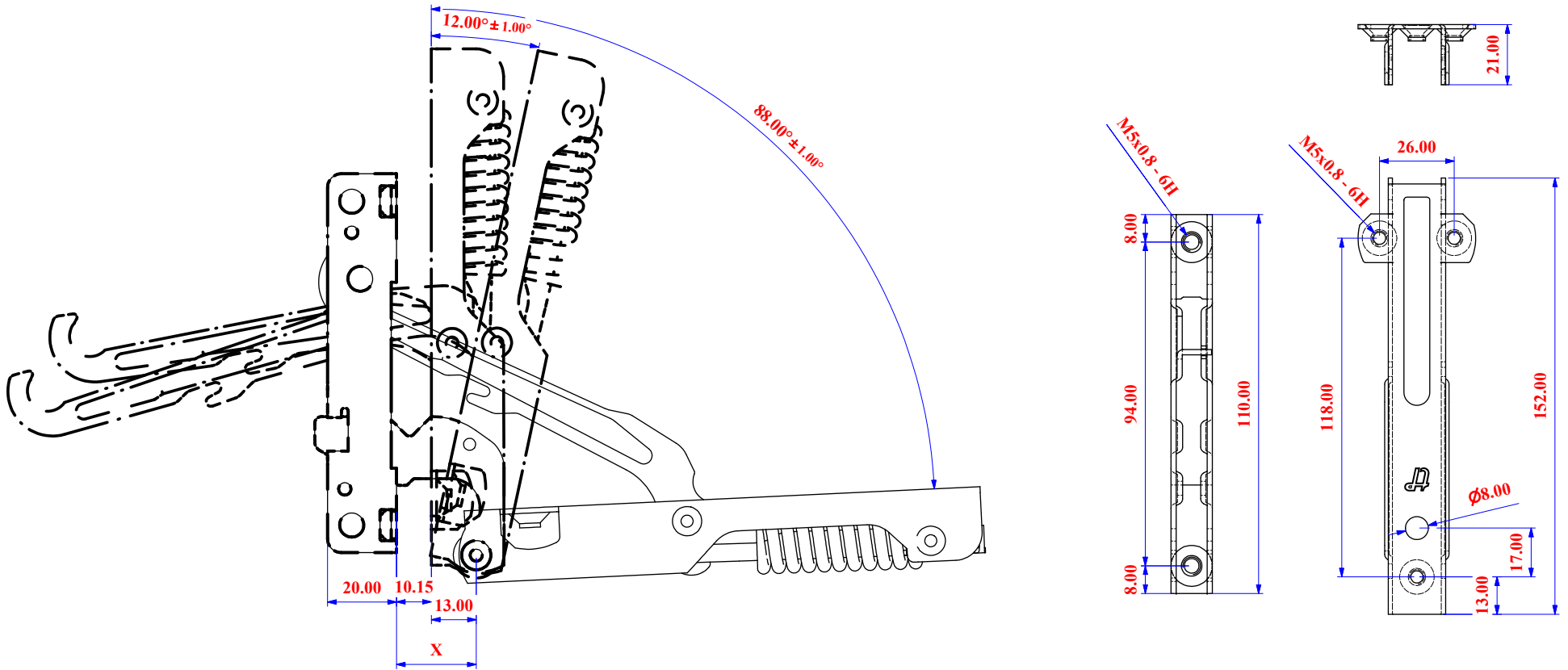
Dim X : Can be Produced as per Client Request due to oven Dimension.

Dim. X = (23 :25)mm. (the most common value)

\\192.168.1.2\Inventor-Dwg\Inv_2012\all hinges\old\MH13.ipt

| Tolerance acc. to DIN 7168-1 | Degree of Accuracy | 0.5 up to 3 | to 6 | to 30 | to 120 | to 400 | to 1000 | to 2000 | to 4000 | to 8000 | to 12000 | to 16000 | to 20000 | |
|---|--------------------|------------------------------------|---------------|---------------|--------------------------|-----------------|------------|-----------|-----------|---------|----------|----------|----------|--|
| | f (Fine) | ± 0.05 | ± 0.05 | ± 0.1 | ± 0.15 | ± 0.2 | ± 0.3 | ± 0.5 | ± 0.8 | ---- | ---- | ---- | ---- | |
| | m (Medium) | ± 0.1 | ± 0.1 | ± 0.2 | ± 0.3 | ± 0.5 | ± 0.8 | ± 1.2 | ± 2 | ± 3 | ± 4 | ± 5 | ± 6 | |
| Material | Net Weight | Treatment | Checking Date | Approval Date | Designed by | | | | | | | | | |
| DD11 | 0.257 kg | yellow Galvanized (7:25 micron) | 10.10.2016 | 10.10.2016 | Eng. Ashraf Md. Shabaan | | | | | | | | | |
| Technical Co. for Eng. Ind. (Techno)  First Industrial Zone Plot No. 6, Block 13030 El Obour City, Cairo Egypt Tel. 0020244814232 44814253 44814354 44814445 Fax. 0020244814117 www.technopyramids.com info@technopyramids.com | | | | | Item Code | MH14 | | | | | | | | |
| | | | | | Item Group | FP1A | | | | | | | | |
| Technical Co. for Eng. Ind. (Techno)  First Industrial Zone Plot No. 6, Block 13030 El Obour City, Cairo Egypt Tel. 0020244814232 44814253 44814354 44814445 Fax. 0020244814117 www.technopyramids.com info@technopyramids.com | | | | | Item Name | Main Door Hinge | | | | | | | | |
| | | | | | 14 موديل - مفصلة باب فرن | | اسم المنتج | | Edition | Sheet | | | | |
| | | | | | 1 | | 8 / 27 | | | | | | | |





Spring Code :S0117036710-A-YG

spring Color : White

Wire Diameter : ϕ 3.6 mm

External Diameter ϕ 16.8mm- Length : 67 mm

Total number of Coils :12


Extremity Grinded End

Working Load (3.5:6.0) Kgf.

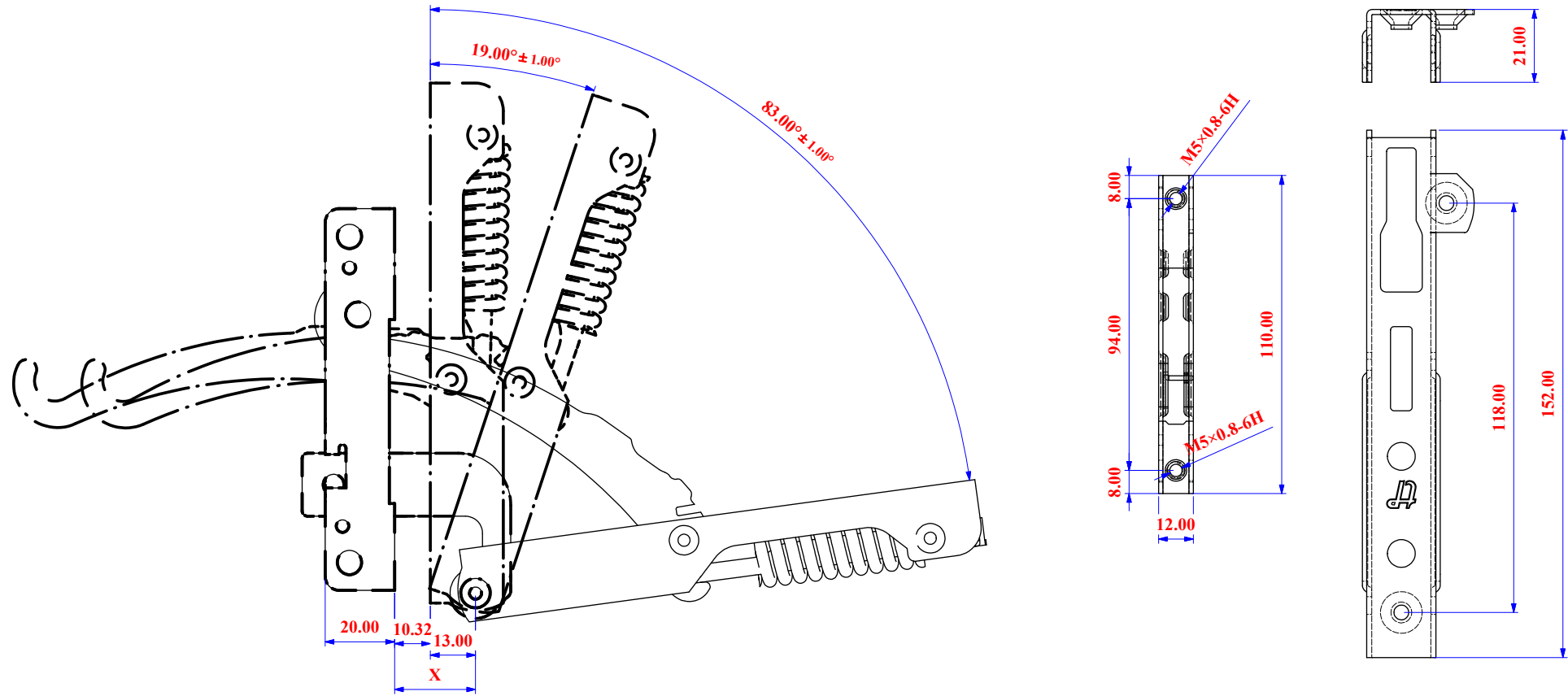
Dim X : Can be Produced as per Client Request due to oven Dimension.

Dim. X = (23 :25)mm. (the most common value)

\\192.168.1.2\Inventor-Dwg\Inv_2012\all hinges\old\MH16\MH16.iam

| Tolerance acc. to DIN 7168-1 | Degree of Accuracy | 0.5 up to 3 | to 6 | to 30 | to 120 | to 400 | to 1000 | to 2000 | to 4000 | to 8000 | to 12000 | to 16000 | to 20000 |
|--|--------------------|-------------|--------|------------------------------------|--------|--------------------------|---------|-----------------|---------|-------------------------|----------|----------|----------|
| | f (Fine) | ± 0.05 | ± 0.05 | ± 0.1 | ± 0.15 | ± 0.2 | ± 0.3 | ± 0.5 | ± 0.8 | ---- | ---- | ---- | ---- |
| | m (Medium) | ± 0.1 | ± 0.1 | ± 0.2 | ± 0.3 | ± 0.5 | ± 0.8 | ± 1.2 | ± 2 | ± 3 | ± 4 | ± 5 | ± 6 |
| Material | | Net Weight | | Treatment | | Checking Date | | Approval Date | | Designed by | | | |
| DD11 | | 0.257 kg | | yellow Galvanized (7:25 micron) | | 10.10.2016 | | 10.10.2016 | | Eng. Ashraf Md. Shabaan | | | |
| Technical Co. for Eng. Ind. (Techno) | | | | | | Item Code | | MH16 | | Checked by | | | |
|  First Industrial Zone Plot No. 6, Block 13030 El Obour City, Cairo Egypt Tel. 0020244814232 44814253 44814354 44814445 Fax. 0020244814117 www.technopyramids.com info@technopyramids.com | | | | | | Item Group | | FP1A | | Approved by | | | |
| | | | | | | Item Name | | Main Door Hinge | | Edition | | Sheet | |
| | | | | | | 16 موديل باب فرن - موديل | | اسم المنتج | | 1 | | 9 / 27 | |





Spring Code :S0116835660-A-WG
spring Color : White

Wire Diameter : \varnothing 3.5 mm


External Diameter \varnothing 16.8mm- Length : 67 mm

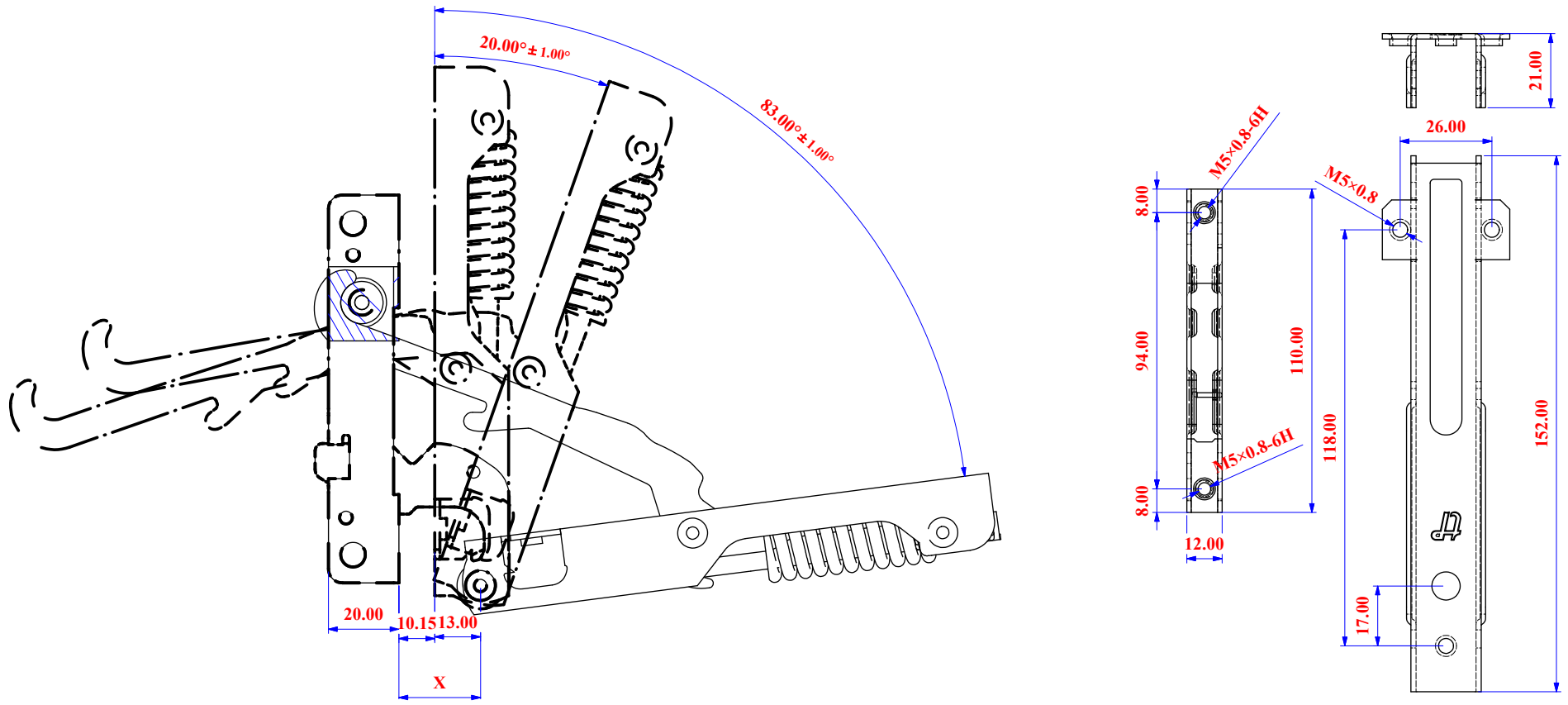
Total number of Coils :12
Extremity Grinded End

Working Load (3.5:6.0) Kgf.

Dim X : Can be Produced as per Client Request due to oven Dimension.

Dim. X = (23 :25)mm. (the most common value)

| \\192.168.1.2\Inventor-Dwg\Inv_2012\all hinges\old\MH17\MH17.iam | | | | | | | | | | | | | |
|---|--------------------|------------------------------------|--------|---------------|--------|-------------------|---------|-------------------------|---------|---------|----------|----------|----------|
| Tolerance acc. to DIN 7168-1 | Degree of Accuracy | 0.5 up to 3 | to 6 | to 30 | to 120 | to 400 | to 1000 | to 2000 | to 4000 | to 8000 | to 12000 | to 16000 | to 20000 |
| | f (Fine) | ± 0.05 | ± 0.05 | ± 0.1 | ± 0.15 | ± 0.2 | ± 0.3 | ± 0.5 | ± 0.8 | ---- | ---- | ---- | ---- |
| | m (Medium) | ± 0.1 | ± 0.1 | ± 0.2 | ± 0.3 | ± 0.5 | ± 0.8 | ± 1.2 | ± 2 | ± 3 | ± 4 | ± 5 | ± 6 |
| Material | Net Weight | Treatment | | Checking Date | | Approval Date | | Designed by | | | | | |
| DD11 | 0.257 kg | yellow Galvanized (7:25 micron) | | 10.10.2016 | | 10.10.2016 | | Eng. Ashraf Md. Shabaan | | | | | |
| Technical Co. for Eng. Ind. (Techno) | | | | Item Code | | Checked by | | | | | | | |
|  <p>First Industrial Zone Plot No. 6, Block 13030 El Obour City, Cairo Egypt</p> <p>Tel. 0020244814232 44814253 44814354 44814445 Fax. 0020244814117</p> <p>www.technopyramids.com info@technopyramids.com</p> | | | | MH17 | | Eng. Ahmed Fathy | | | | | | | |
| | | | | Item Group | | Approved by | | | | | | | |
| | | | | FP1A | | Eng. Md Md Hanafy | | | | | | | |
| Item Name | | | | Edition | | Sheet | | | | | | | |
| Main Door Hinge | | | | 1 | | 10 / 27 | | | | | | | |
| 17 موديل باب فرن - موديل | | | | اسم المنتج | | | | | | | | | |



Spring Code :S0116835660-A-WG
spring Color : White

Wire Diameter : \varnothing 3.5 mm

External Diameter \varnothing 16.8mm- Length : 67 mm



Total number of Coils :12

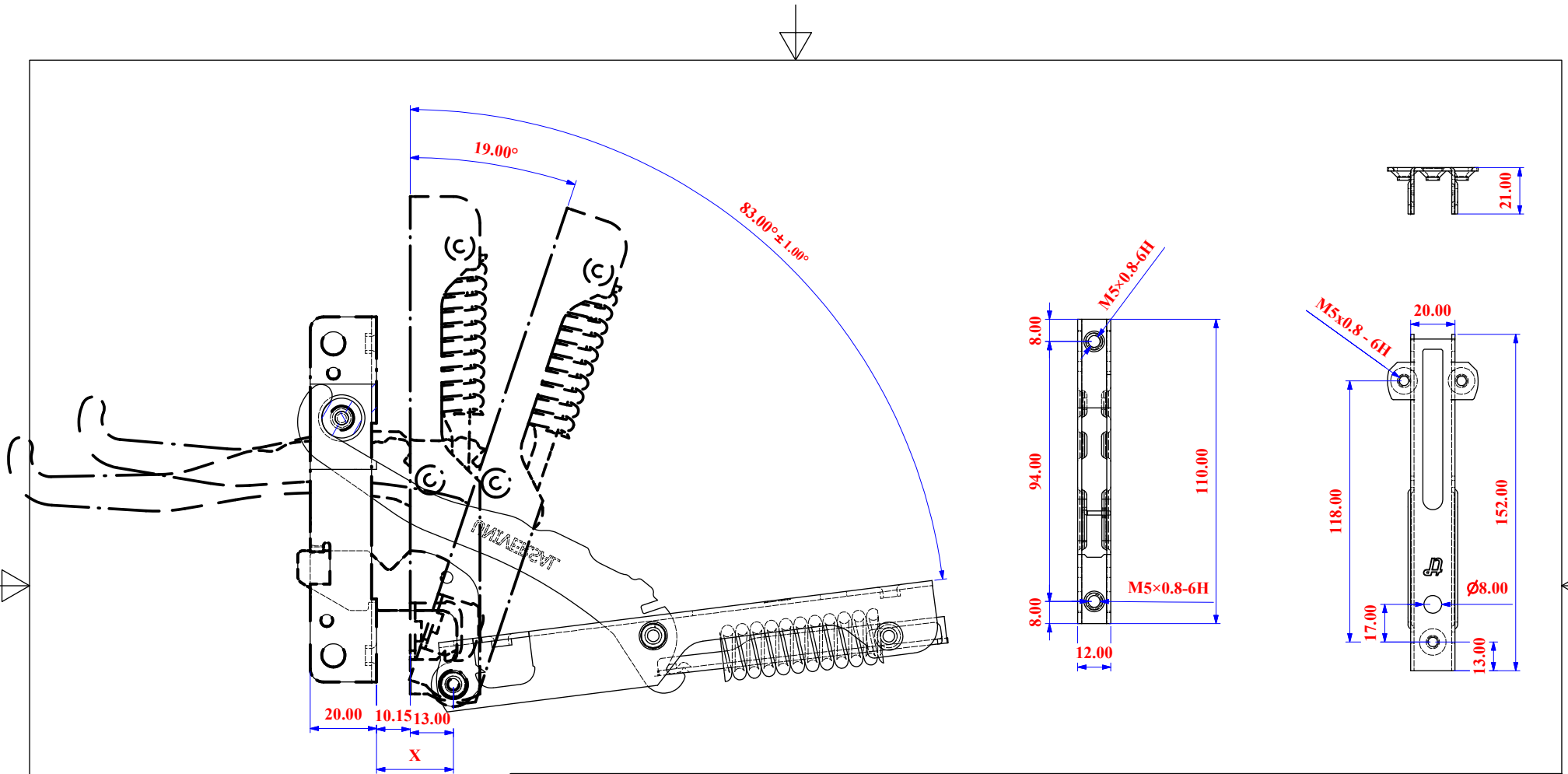
Extremity Grinded End

Working Load (3.5:6.0) Kgf.

Dim X : Can be Produced as per Client Request due to oven Dimension.

Dim. X = (23 :25)mm. (the most common value)

| \\192.168.1.2\Inventor-Dwg\Inv_2012\all hinges\old\MH20\MH20.iam | | | | | | | | | | | | | |
|---|--------------------|------------------------------------|--------|--------------------------|-----------------|---------------|---------|-------------------------|---------|------------------|----------|----------|----------|
| Tolerance acc. to DIN 7168-1 | Degree of Accuracy | 0.5 up to 3 | to 6 | to 30 | to 120 | to 400 | to 1000 | to 2000 | to 4000 | to 8000 | to 12000 | to 16000 | to 20000 |
| | f (Fine) | ± 0.05 | ± 0.05 | ± 0.1 | ± 0.15 | ± 0.2 | ± 0.3 | ± 0.5 | ± 0.8 | ---- | ---- | ---- | ---- |
| | m (Medium) | ± 0.1 | ± 0.1 | ± 0.2 | ± 0.3 | ± 0.5 | ± 0.8 | ± 1.2 | ± 2 | ± 3 | ± 4 | ± 5 | ± 6 |
| Material | Net Weight | Treatment | | Checking Date | | Approval Date | | Designed by | | | | | |
| DD11 | 0.257 kg | yellow Galvanized (7:25 micron) | | 10.10.2016 | | 10.10.2016 | | Eng. Ashraf Md. Shabaan | | | | | |
| Technical Co. for Eng. Ind. (Techno)  First Industrial Zone Plot No. 6, Block 13030 El Obour City, Cairo Egypt Tel. 0020244814232 44814253 44814354 44814445 Fax. 0020244814117 www.technopyramids.com info@technopyramids.com | | | | Item Code | MH20 | | | | | Checked by | | | |
| | | | | Item Group | FP1A | | | | | Eng. Ahmed Fathy | | | |
| Technical Co. for Eng. Ind. (Techno)  First Industrial Zone Plot No. 6, Block 13030 El Obour City, Cairo Egypt Tel. 0020244814232 44814253 44814354 44814445 Fax. 0020244814117 www.technopyramids.com info@technopyramids.com | | | | Item Name | Main Door Hinge | | | | | Edition | Sheet | | |
| | | | | 20 موديل – مفصلة باب فرن | | اسم المنتج | | | 1 | 11 / 27 | | | |



Spring Code :S0116835660-A-WG
spring Color : White

Wire Diameter : \varnothing 3.5 mm




External Diameter \varnothing 16.8mm- Length : 66 mm

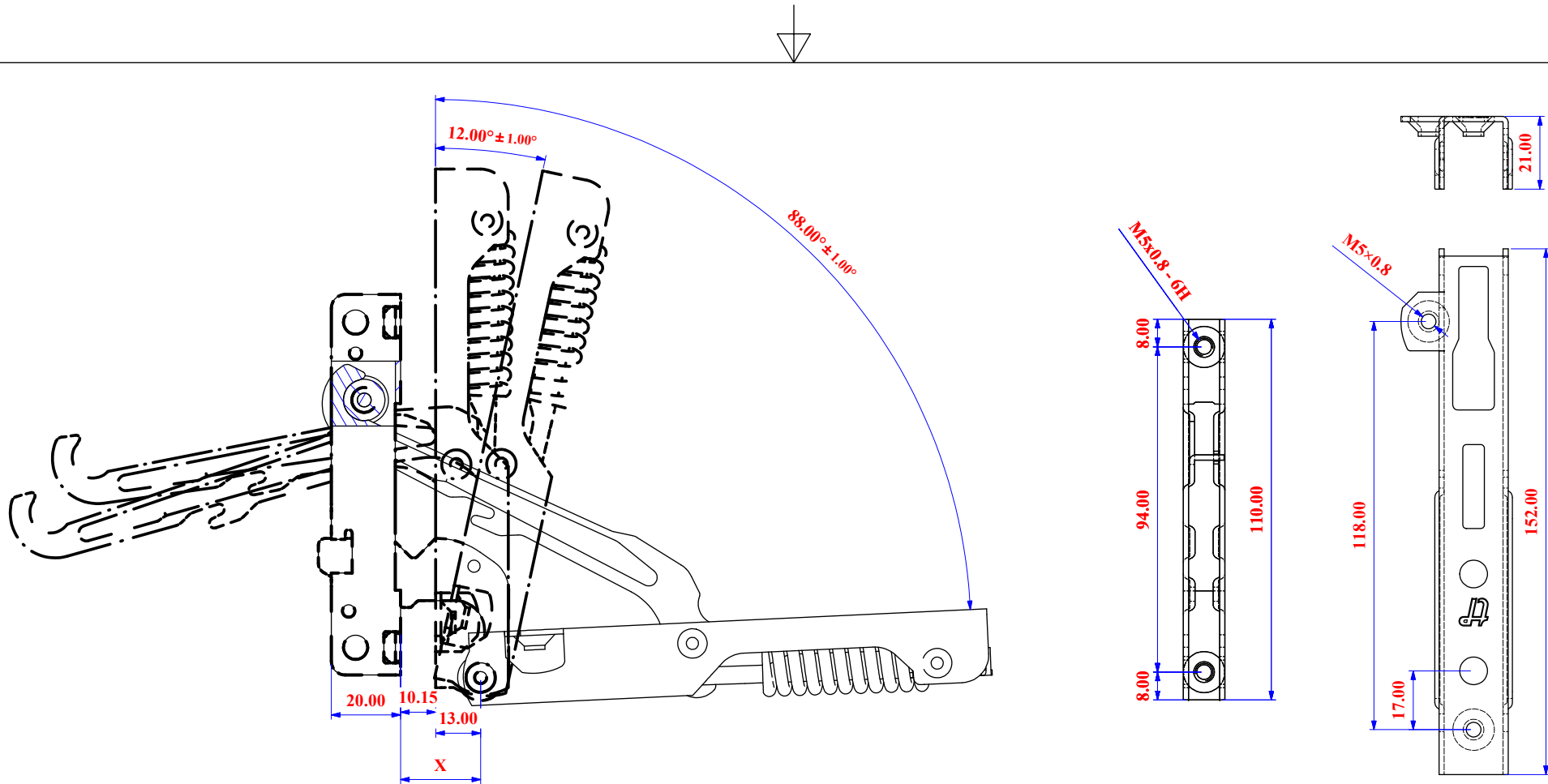
Total number of Coils :12
Extremity Grinded End

Working Load (3.5:6.0) Kgf.

Dim X : Can be Produced as per Client Request due to oven Dimension.

Dim. X = (23 :25)mm. (the most common value)

| \\192.168.1.2\Inventor-Dwg\Inv_2012\all hinges\old\MH29.iam | | | | | | | | | | | | | |
|---|--------------------|------------------------------------|--------|---------------|-----------------|---------------|---------|-------------------------|-------------------|------------------|----------|----------|----------|
| Tolerance acc. to DIN 7168-1 | Degree of Accuracy | 0.5 up to 3 | to 6 | to 30 | to 120 | to 400 | to 1000 | to 2000 | to 4000 | to 8000 | to 12000 | to 16000 | to 20000 |
| | f (Fine) | ± 0.05 | ± 0.05 | ± 0.1 | ± 0.15 | ± 0.2 | ± 0.3 | ± 0.5 | ± 0.8 | ---- | ---- | ---- | ---- |
| | m (Medium) | ± 0.1 | ± 0.1 | ± 0.2 | ± 0.3 | ± 0.5 | ± 0.8 | ± 1.2 | ± 2 | ± 3 | ± 4 | ± 5 | ± 6 |
| Material | Net Weight | Treatment | | Checking Date | | Approval Date | | Designed by | | | | | |
| DD11 | 0.257 kg | yellow Galvanized (7:25 micron) | | 8.9.2016 | | 8.9.2016 | | Eng. Ashraf Md. Shabaan | | | | | |
| Technical Co. for Eng. Ind. (Techno)  First Industrial Zone Plot No. 6, Block 13030 El Obour City, Cairo Egypt Tel. 0020244814232 44814253 44814354 44814445 Fax. 0020244814117 www.technopyramids.com info@technopyramids.com | | | | Item Code | MH29 | | | | | Checked by | | | |
| | | | | Item Group | FP1A | | | | | Eng. Ahmed Fathy | | | |
| Technical Co. for Eng. Ind. (Techno)  First Industrial Zone Plot No. 6, Block 13030 El Obour City, Cairo Egypt Tel. 0020244814232 44814253 44814354 44814445 Fax. 0020244814117 www.technopyramids.com info@technopyramids.com | | | | Item Name | Main Door Hinge | | | | | Approved by | | | |
| | | | | مفصلة باب فرن | | اسم المنتج | | | Eng. Md Md Hanafy | | Edition | Sheet | |
| Technical Co. for Eng. Ind. (Techno)  First Industrial Zone Plot No. 6, Block 13030 El Obour City, Cairo Egypt Tel. 0020244814232 44814253 44814354 44814445 Fax. 0020244814117 www.technopyramids.com info@technopyramids.com | | | | | | | | 1 | | 12 / 27 | | | |
| | | | | | | | | | | | | | |



Spring Code :S0116835660-A-WG
spring Color : White

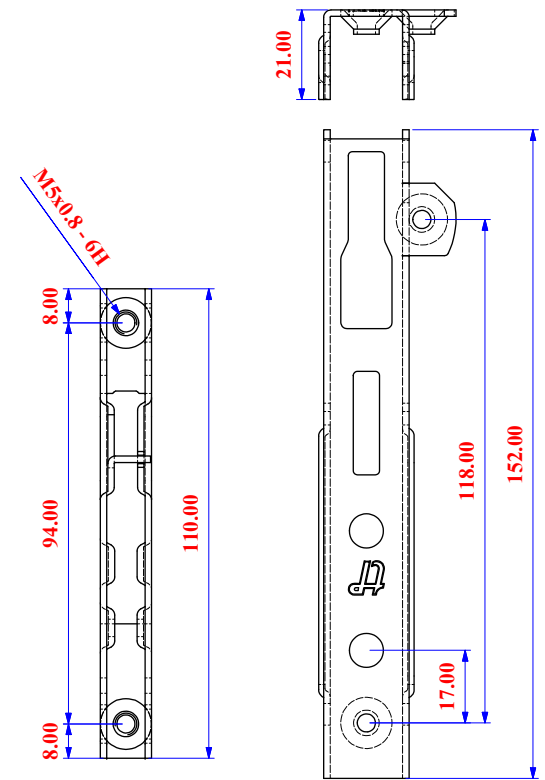
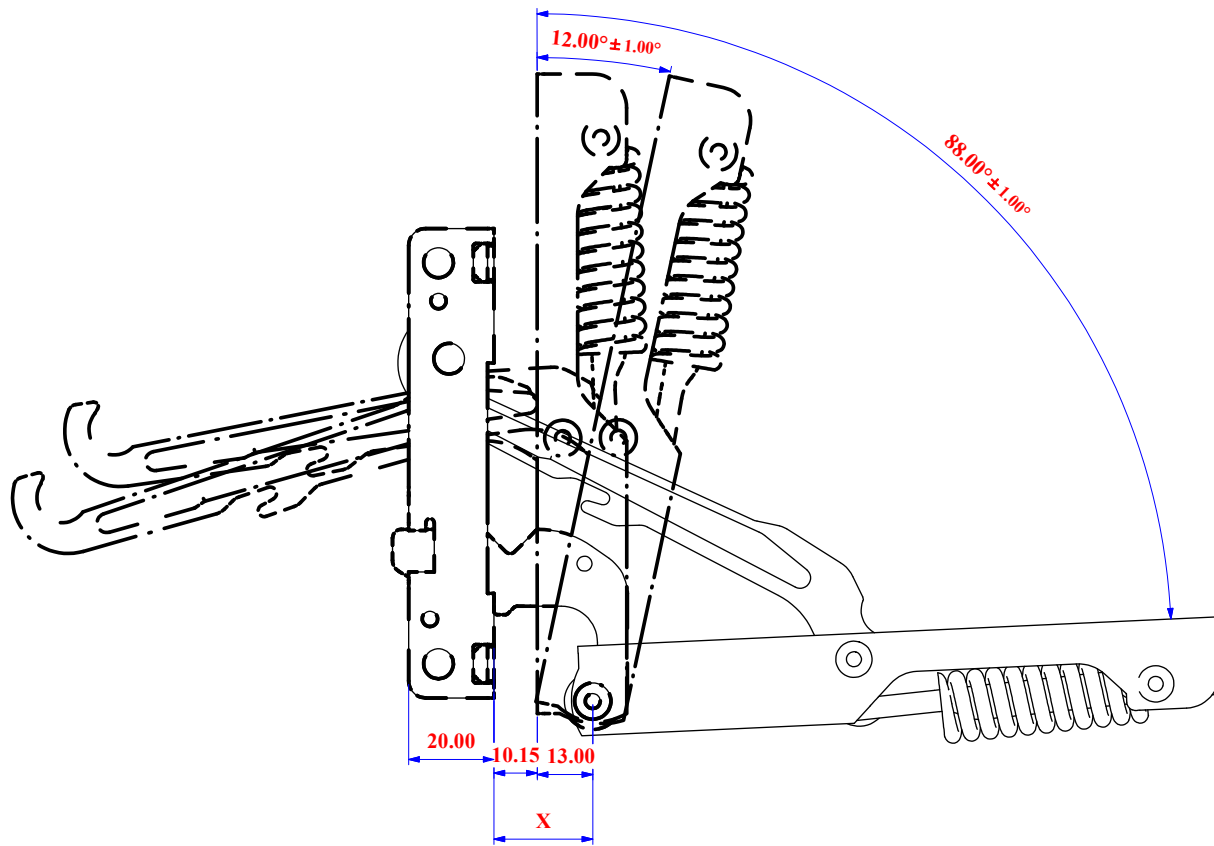
Wire Diameter : \varnothing 3.5 mm

External Diameter \varnothing 16.8mm- Length : 66 mm

Total number of Coils :12
Extremity Grinded End

Working Load (6.5:9.5) Kgf.
Dim X : Can be Produced as per Client Request due
to oven Dimension.
Dim. X = (23 :25)mm. (the most common value)

| \\192.168.1.2\Inventor-Dwg\Inv_2012\all hinges\old\MH30\MH30.iam | | | | | | | | | | | | | |
|---|-----------------------|------------------------------------|--------|---------|---------------|--------|-------------------|---------|-------------------------|-----------------|----------|----------|----------|
| Tolerance acc. to DIN 7168-1 | Degree of Accuracy | 0.5 up to 3 | to 6 | to 30 | to 120 | to 400 | to 1000 | to 2000 | to 4000 | to 8000 | to 12000 | to 16000 | to 20000 |
| | f (Fine) | ± 0.05 | ± 0.05 | ± 0.1 | ± 0.15 | ± 0.2 | ± 0.3 | ± 0.5 | ± 0.8 | ---- | ---- | ---- | ---- |
| | m (Medium) | ± 0.1 | ± 0.1 | ± 0.2 | ± 0.3 | ± 0.5 | ± 0.8 | ± 1.2 | ± 2 | ± 3 | ± 4 | ± 5 | ± 6 |
| Material | Net Weight | Treatment | | | Checking Date | | Approval Date | | Designed by | | | | |
| DD11 | 0.257 kg | yellow Galvanized (7:25 micron) | | | 10.10.2016 | | 10.10.2016 | | Eng. Ashraf Md. Shabaan | | | | |
| Technical Co. for Eng. Ind. (Techno)  First Industrial Zone Plot No. 6, Block 13030 El Obour City, Cairo Egypt Tel. 0020244814232 44814253 44814354 44814445 Fax. 0020244814117 www.technopyramids.com info@technopyramids.com | | | | | Item Code | MH30 | | | | Checked by | | | |
| | | | | | Item Group | FP1A | | | | Eng. Ahmed Fahy | | | |
| Item Name | Main Door Hinge | | | | Approved by | | Eng. Md Md Hanafy | | Edition | Sheet | | | |
| 30 موديل - مفصلة باب فرن - اسم المنتج | | 1 | | 13 / 27 | | | | | | | | | |



Spring Code :S0116835660-A-WG
spring Color : White

Wire Diameter : \varnothing 3.5 mm


External Diameter \varnothing 16.8mm- Length : 66 mm

Total number of Coils :12
Extremity Grinded End

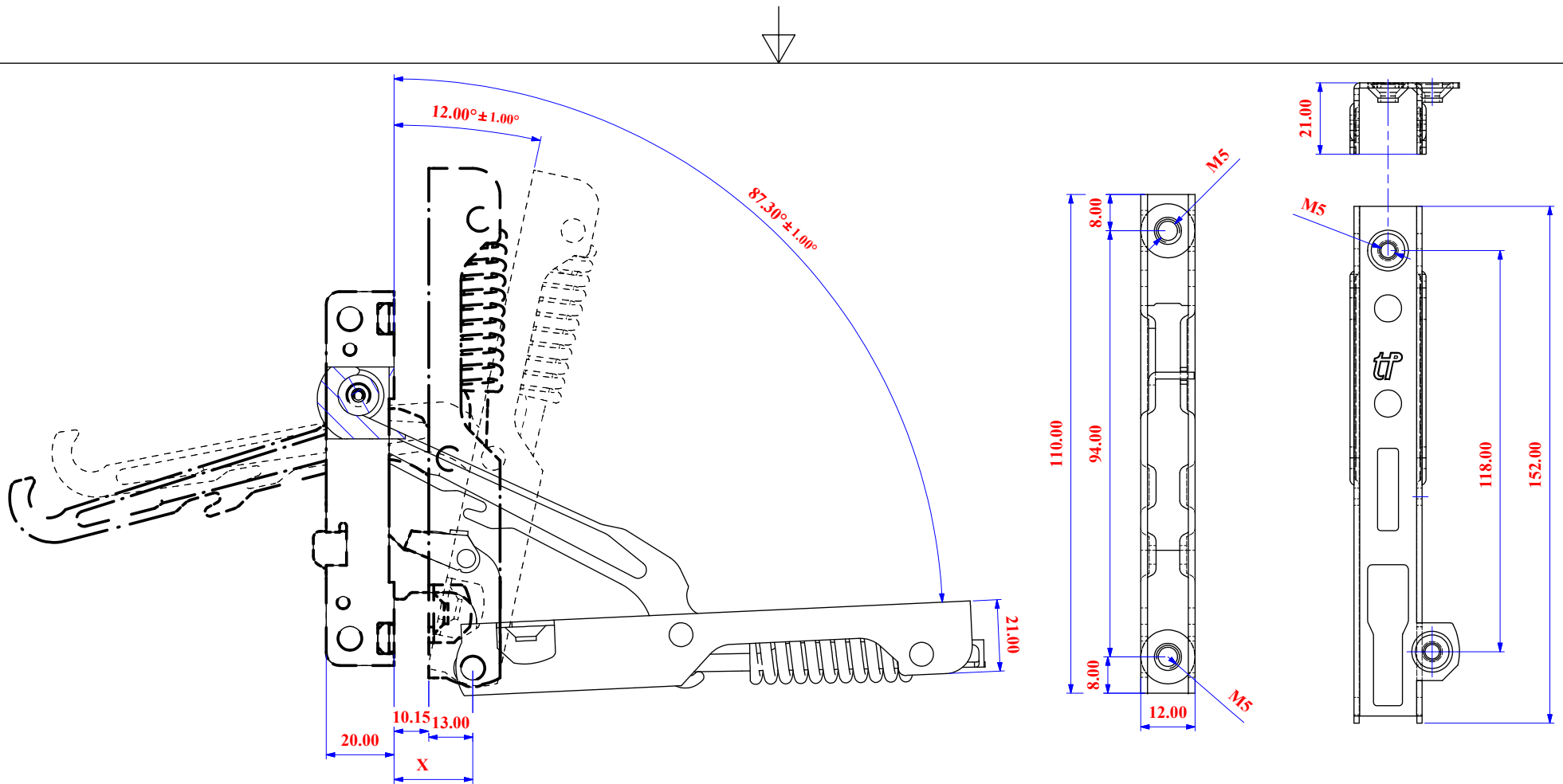
Working Load (6.5:9.5) Kgf.

Dim X : Can be Produced as per Client Request due to oven Dimension.

Dim. X = (23 :25)mm. (the most common value)

| \\192.168.1.2\Inventor-Dwg\Inv_2012\all hinges\old\MH31\MH31.iam | | | | | | | | | | | | | |
|--|--------------------|------------------------------------|---------------|---------------|--------------------------|-----------------|---------|---------|---------|------------|----------|----------|----------|
| Tolerance acc. to DIN 7168-1 | Degree of Accuracy | 0.5 up to 3 | to 6 | to 30 | to 120 | to 400 | to 1000 | to 2000 | to 4000 | to 8000 | to 12000 | to 16000 | to 20000 |
| | f (Fine) | ± 0.05 | ± 0.05 | ± 0.1 | ± 0.15 | ± 0.2 | ± 0.3 | ± 0.5 | ± 0.8 | ---- | ---- | ---- | ---- |
| | m (Medium) | ± 0.1 | ± 0.1 | ± 0.2 | ± 0.3 | ± 0.5 | ± 0.8 | ± 1.2 | ± 2 | ± 3 | ± 4 | ± 5 | ± 6 |
| Material | Net Weight | Treatment | Checking Date | Approval Date | Designed by | | | | | | | | |
| DD11 | 0.293 kg | yellow Galvanized (7:25 micron) | 10.10.2016 | 10.10.2016 | Eng. Ashraf Md. Shabaan | | | | | | | | |
| Technical Co. for Eng. Ind. (Techno) | | | | | Item Code | MH31 | | | | | | | |
| | | | | | Item Group | FP1A | | | | | | | |
|  First Industrial Zone Plot No. 6, Block 13030 El Obour City, Cairo Egypt Tel. 0020244814232 44814253 44814354 44814445 Fax. 0020244814117 www.technopyramids.com info@technopyramids.com | | | | | Item Name | Main Door Hinge | | | | | | | |
| | | | | | 31 موديل باب فرن - موديل | | | | | اسم المنتج | | | Edition |
| | | | | | | | | 1 | 14 / 27 | | | | |





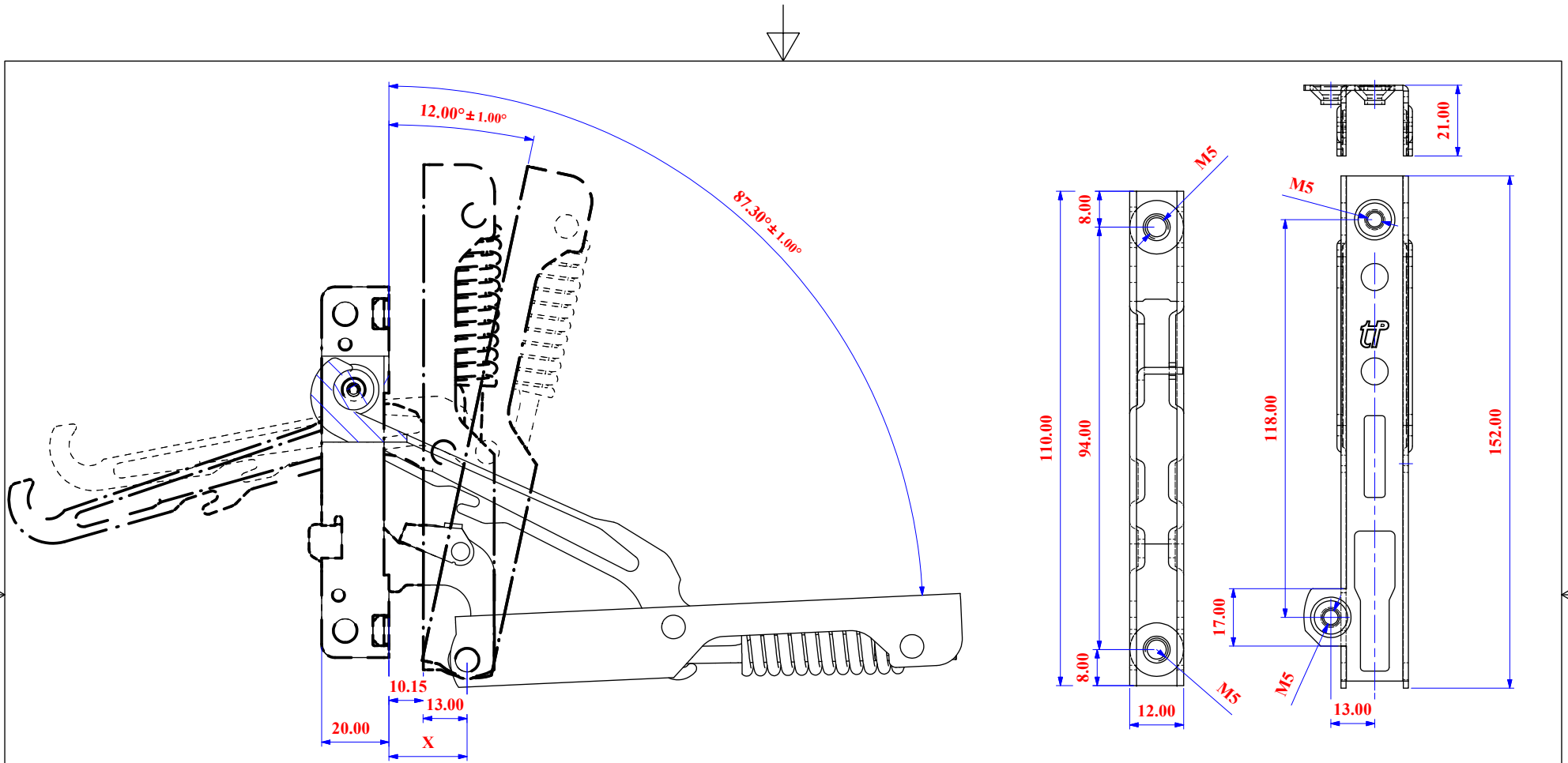


Spring Code : S01170325675-L
 spring Color : Plain
 Wire Diameter : \varnothing 3.25 mm

External Diameter \varnothing 16.8 mm- Length : 67.5 mm
 Total number of Coils : 11
 Extremity Grinded End

Working Load (6.5:9.5) Kgf.
 Dim X : Can be Produced as per Client Request due to oven
 Dimension.
 Dim. X = (23 :25)mm. (the most common value)

| \\192.168.1.2\Inventor-Dwg\Inv_2012\all hinges\MH34\MH34.iam | | | | | | | | | | | | | |
|---|--------------------|------------------------------|------------|---------------------------|-----------------|---------------|-----------|-------------------------|-------------------|------------------|----------|----------|----------|
| Tolerance acc. to DIN 7168-1 | Degree of Accuracy | 0.5 up to 3 | to 6 | to 30 | to 120 | to 400 | to 1000 | to 2000 | to 4000 | to 8000 | to 12000 | to 16000 | to 20000 |
| | f (Fine) | ± 0.05 | ± 0.05 | ± 0.1 | ± 0.15 | ± 0.2 | ± 0.3 | ± 0.5 | ± 0.8 | ---- | ---- | ---- | ---- |
| | m (Medium) | ± 0.1 | ± 0.1 | ± 0.2 | ± 0.3 | ± 0.5 | ± 0.8 | ± 1.2 | ± 2 | ± 3 | ± 4 | ± 5 | ± 6 |
| Material | Net Weight | Treatment | | Checking Date | | Approval Date | | Designed by | | | | | |
| DD11 | 0.257 kg | White Galv. (7:25 micron) | | 9.8.2016 | | 9.8.2016 | | Eng. Ashraf Md. Shabaan | | | | | |
| Technical Co. for Eng. Ind. (Techno)  First Industrial Zone Plot No. 6, Block 13030 El Obour City, Cairo Egypt Tel. 0020244814232 44814253 44814354 44814445 Fax. 0020244814117 www.technopyramids.com info@technopyramids.com | | | | Item Code | MH34 | | | | | Checked by | | | |
| | | | | Item Group | FP1A | | | | | Eng. Ahmed Fathy | | | |
| Technical Co. for Eng. Ind. (Techno)  First Industrial Zone Plot No. 6, Block 13030 El Obour City, Cairo Egypt Tel. 0020244814232 44814253 44814354 44814445 Fax. 0020244814117 www.technopyramids.com info@technopyramids.com | | | | Item Name | Main Door Hinge | | | | | Approved by | | | |
| | | | | مفصلة باب فرن 55x 55 يمين | | اسم المنتج | | | Eng. Md Md Hanafy | | | | |
| | | | | | | | Edition | Sheet | | | | | |
| | | | | | | | 1 | 15 / 27 | | | | | |



Spring Code : S01170325675-L
spring Color : Plain

Wire Diameter : \varnothing 3.25 mm



External Diameter \varnothing 16.8 mm- Length : 67.5 mm

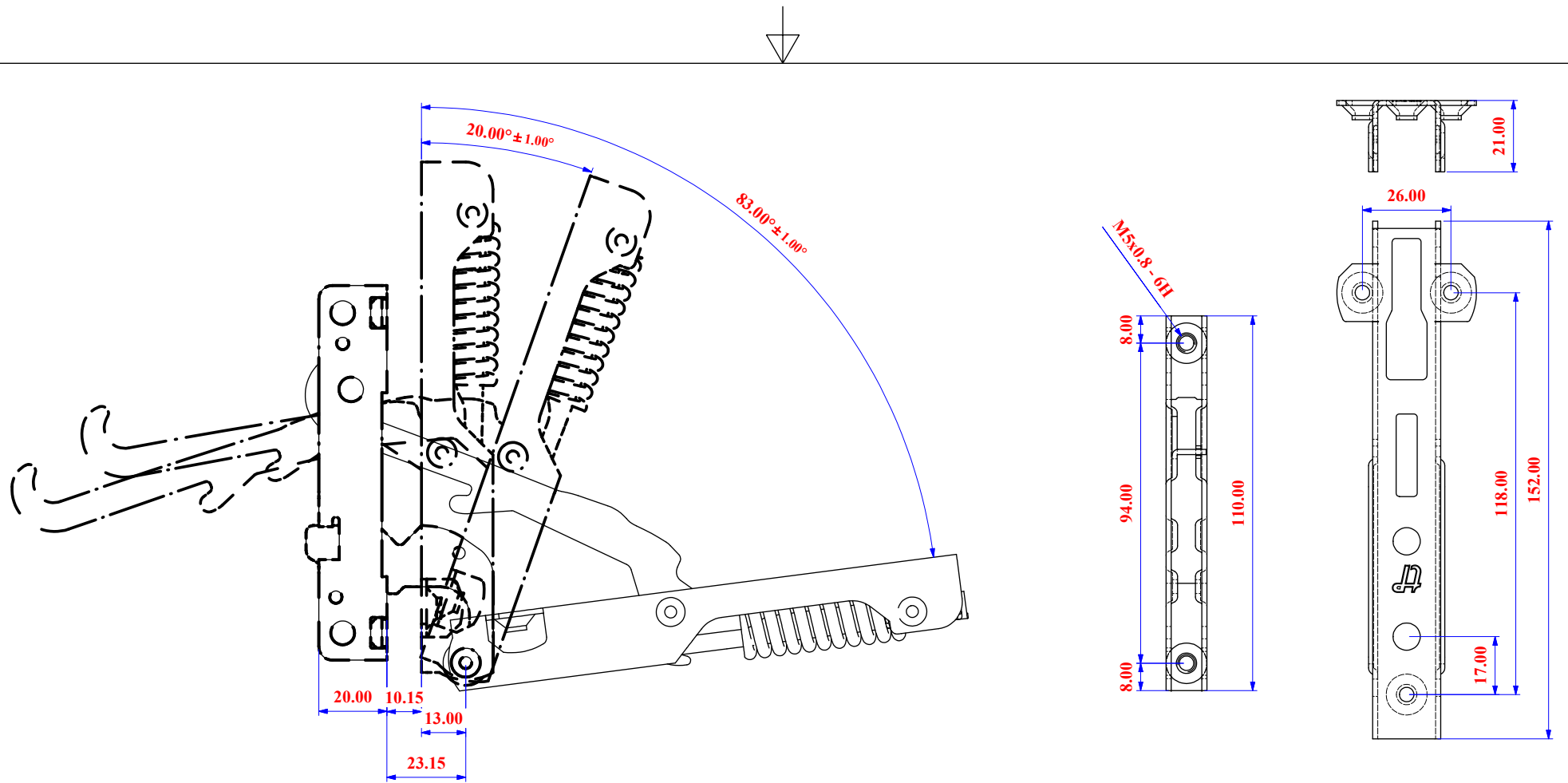
Total number of Coils : 11
Extremity Grinded End

Working Load (6.5:9.5) Kgf.

Dim X : Can be Produced as per Client Request due to oven
Dimension.

Dim. X = (23 :25)mm. (the most common value)

| \\192.168.1.2\Inventor-Dwg\Inv_2012\all hinges\MH35\MH35.iam | | | | | | | | | | | | | | |
|---|-------------------------------|---|------------|------------------------------------|------------------------|------------------------------------|-----------|---|-----------|---|----------|----------|----------------|---------|
| Tolerance acc. to DIN 7168-1 | Degree of Accuracy | 0.5 up to 3 | to 6 | to 30 | to 120 | to 400 | to 1000 | to 2000 | to 4000 | to 8000 | to 12000 | to 16000 | to 20000 | |
| | f (Fine) | ± 0.05 | ± 0.05 | ± 0.1 | ± 0.15 | ± 0.2 | ± 0.3 | ± 0.5 | ± 0.8 | ---- | ---- | ---- | ---- | ---- |
| | m (Medium) | ± 0.1 | ± 0.1 | ± 0.2 | ± 0.3 | ± 0.5 | ± 0.8 | ± 1.2 | ± 2 | ± 3 | ± 4 | ± 5 | ± 6 | ± 6 |
| Material DD11 | Net Weight 0.257 kg | Treatment White Galv. (7:25 micron) | | Checking Date 09.08.2016 | | Approval Date 09.08.2016 | | Designed by Eng. Ashraf Md. Shabaan | | | | | | |
| Technical Co. for Eng. Ind. (Techno)  First Industrial Zone Plot No. 6, Block 13030 El Obour City, Cairo Egypt Tel. 0020244814232 44814253 44814354 44814445 Fax. 0020244814117 www.technopyramids.com info@technopyramids.com | | | | Item Code | MH35 | | | | | Checked by Eng. Ahmed Fathy | | | | |
| | | | | Item Group | FP1A | | | | | Approved by Eng. Md Md Hanafy | | | | |
| Technical Co. for Eng. Ind. (Techno)  First Industrial Zone Plot No. 6, Block 13030 El Obour City, Cairo Egypt Tel. 0020244814232 44814253 44814354 44814445 Fax. 0020244814117 www.technopyramids.com info@technopyramids.com | | | | Item Name | Main Door Hinge | | | | | Edition | Sheet | | | |
| | | | | مفصلة باب فرن 55x 55 يسار | | | | اسم المنتج | | | | 1 | 16 / 27 | |



Spring Code : S01170325675-L
spring Color : Plain

Wire Diameter : \varnothing 3.25 mm



External Diameter \varnothing 16.8 mm- Length : 67.5 mm

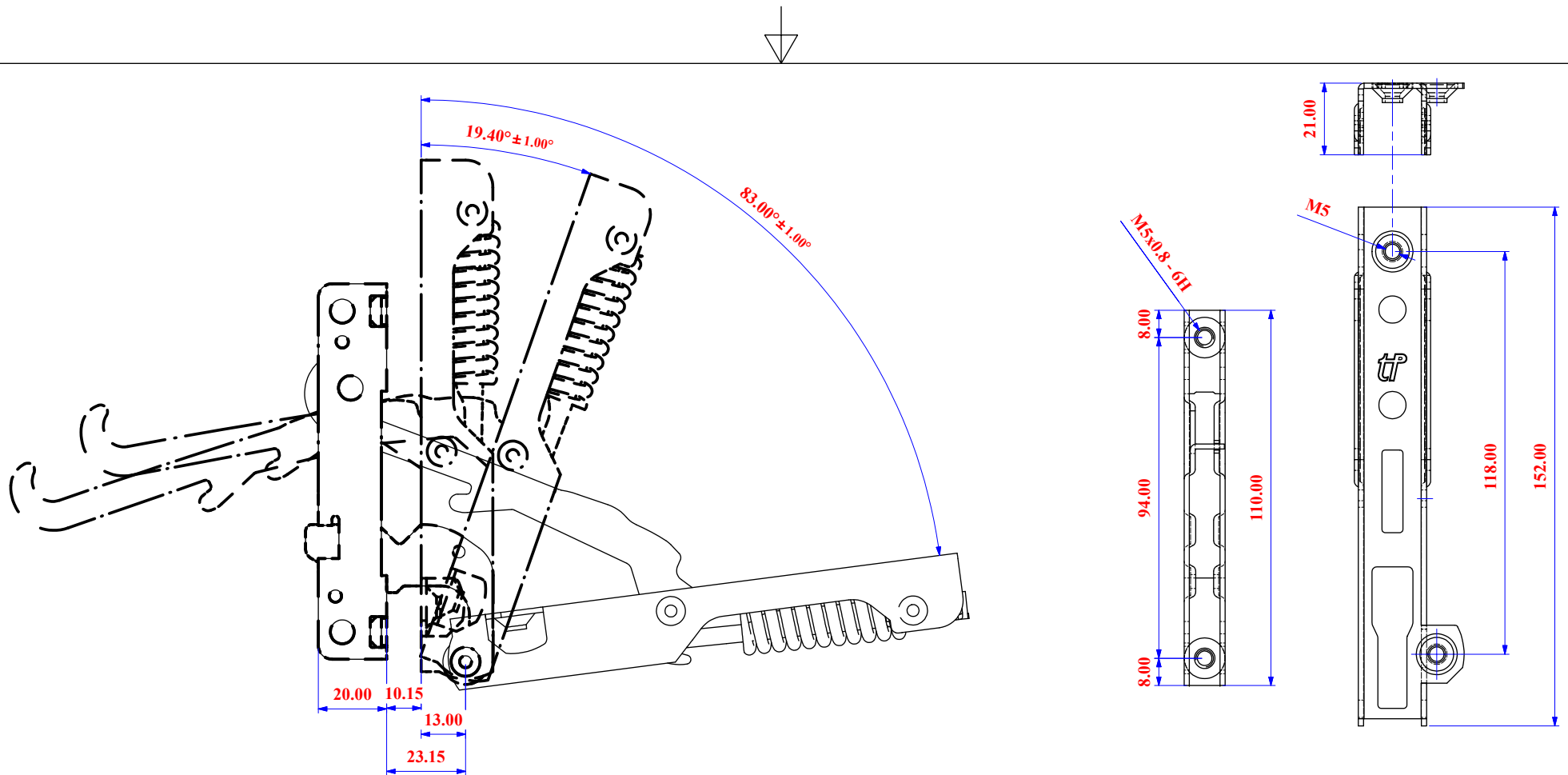
Total number of Coils : 11
Extremity Grinded End

Working Load (6.5:9.5) Kgf.

Dim X : Can be Produced as per Client Request due to oven Dimension.

Dim. X = (23 :25)mm. (the most common value)

| \\192.168.1.2\Inventor-Dwg\Inv_2012\all hinges\old\MH36\MH36.iam | | | | | | | | | | | | | |
|---|--------------------|------------------------------|---------------|---------------|----------------------------------|-----------------|---------|---------|---------|---------|----------|----------|----------|
| Tolerance acc. to DIN 7168-1 | Degree of Accuracy | 0.5 up to 3 | to 6 | to 30 | to 120 | to 400 | to 1000 | to 2000 | to 4000 | to 8000 | to 12000 | to 16000 | to 20000 |
| | f (Fine) | ± 0.05 | ± 0.05 | ± 0.1 | ± 0.15 | ± 0.2 | ± 0.3 | ± 0.5 | ± 0.8 | ---- | ---- | ---- | ---- |
| | m (Medium) | ± 0.1 | ± 0.1 | ± 0.2 | ± 0.3 | ± 0.5 | ± 0.8 | ± 1.2 | ± 2 | ± 3 | ± 4 | ± 5 | ± 6 |
| Material | Net Weight | Treatment | Checking Date | Approval Date | Designed by | | | | | | | | |
| DD11 | 0.257 kg | White Galv. (7:25 micron) | 10.10.2016 | 10.10.2016 | Eng. Ashraf Md. Shabaan | | | | | | | | |
| Technical Co. for Eng. Ind. (Techno)  First Industrial Zone Plot No. 6, Block 13030 El Obour City, Cairo Egypt Tel. 0020244814232 44814253 44814354 44814445 Fax. 0020244814117 www.technopyramids.com info@technopyramids.com | | | | | Item Code | MH36 | | | | | | | |
| | | | | | Item Group | FP1A | | | | | | | |
| Checked by Eng. Ahmed Fathy | | | | | Item Name | Main Door Hinge | | | | | | | |
| | | | | | Approved by Eng. Md Md Hanafy | | | | | Edition | Sheet | | |
|  36 موديل باب فرن - مفصلة | | | | | اسم المنتج | | | 1 | 17 / 27 | | | | |



Spring Code :S0116835660-A-WG
spring Color : White

Wire Diameter : \varnothing 3.5 mm





External Diameter \varnothing 16.8mm- Length : 66 mm

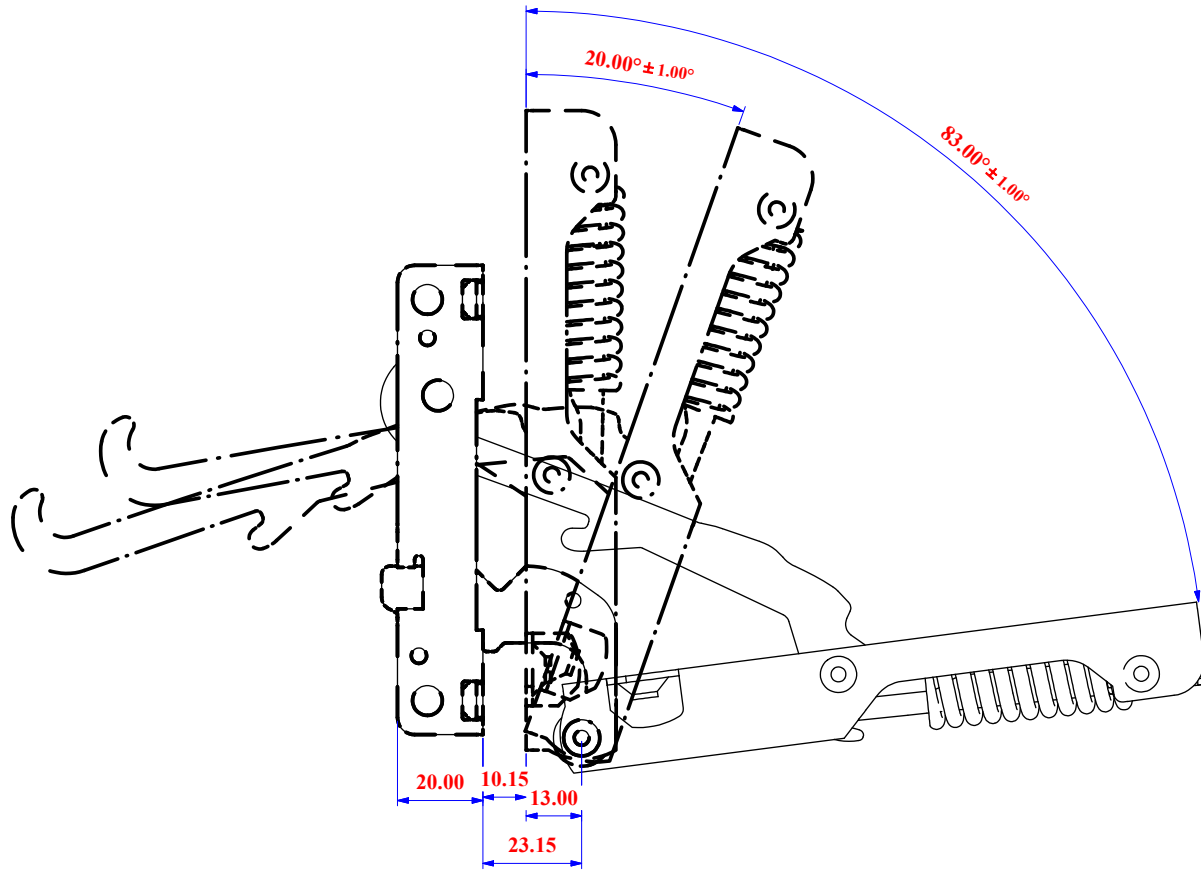
Total number of Coils :12
Extremity Grinded End

Working Load (6.5:9.5) Kgf.

Dim X : Can be Produced as per Client Request due to oven Dimension.

Dim. X = (23 :25)mm. (the most common value)

| \\192.168.1.2\Inventor-Dwg\Inv_2012\all hinges\old\MH37\MH37.iam | | | | | | | | | | | | | |
|---|--------------------|------------------------------|--------|---------------------------------|--------|-------------------|---------|-------------------------|---------|---------|----------|----------|----------|
| Tolerance acc. to DIN 7168-1 | Degree of Accuracy | 0.5 up to 3 | to 6 | to 30 | to 120 | to 400 | to 1000 | to 2000 | to 4000 | to 8000 | to 12000 | to 16000 | to 20000 |
| | f (Fine) | ± 0.05 | ± 0.05 | ± 0.1 | ± 0.15 | ± 0.2 | ± 0.3 | ± 0.5 | ± 0.8 | ---- | ---- | ---- | ---- |
| | m (Medium) | ± 0.1 | ± 0.1 | ± 0.2 | ± 0.3 | ± 0.5 | ± 0.8 | ± 1.2 | ± 2 | ± 3 | ± 4 | ± 5 | ± 6 |
| Material | Net Weight | Treatment | | Checking Date | | Approval Date | | Designed by | | | | | |
| DD11 | 0.257 kg | White Galv. (7:25 micron) | | 10.10.2016 | | 10.10.2016 | | Eng. Ashraf Md. Shabaan | | | | | |
| Technical Co. for Eng. Ind. (Techno) | | | | Item Code | | Checked by | | | | | | | |
|  <p>First Industrial Zone Plot No. 6, Block 13030 El Obour City, Cairo Egypt</p> <p>Tel. 0020244814232 44814253 44814354 44814445 Fax. 0020244814117</p> <p>www.technopyramids.com info@technopyramids.com</p> | | | | MH37 | | Eng. Ahmed Fathy | | | | | | | |
| | | | | Item Group | | Approved by | | | | | | | |
|  | | | | FP1A | | Eng. Md Md Hanafy | | | | | | | |
| | | | | Item Name | | Edition | | | | | | | |
|  | | | | Main Door Hinge | | Sheet | | | | | | | |
| | | | | 37 موديل باب فرن - موديل المنتج | | 1 | | | | | | | |
|  | | | | اسم المنتج | | 18 / 27 | | | | | | | |
| | | | | 1 | | | | | | | | | |



Spring Code :S0116835660-A-WG
spring Color : White

Wire Diameter : \varnothing 3.5 mm



External Diameter \varnothing 16.8mm- Length : 66 mm

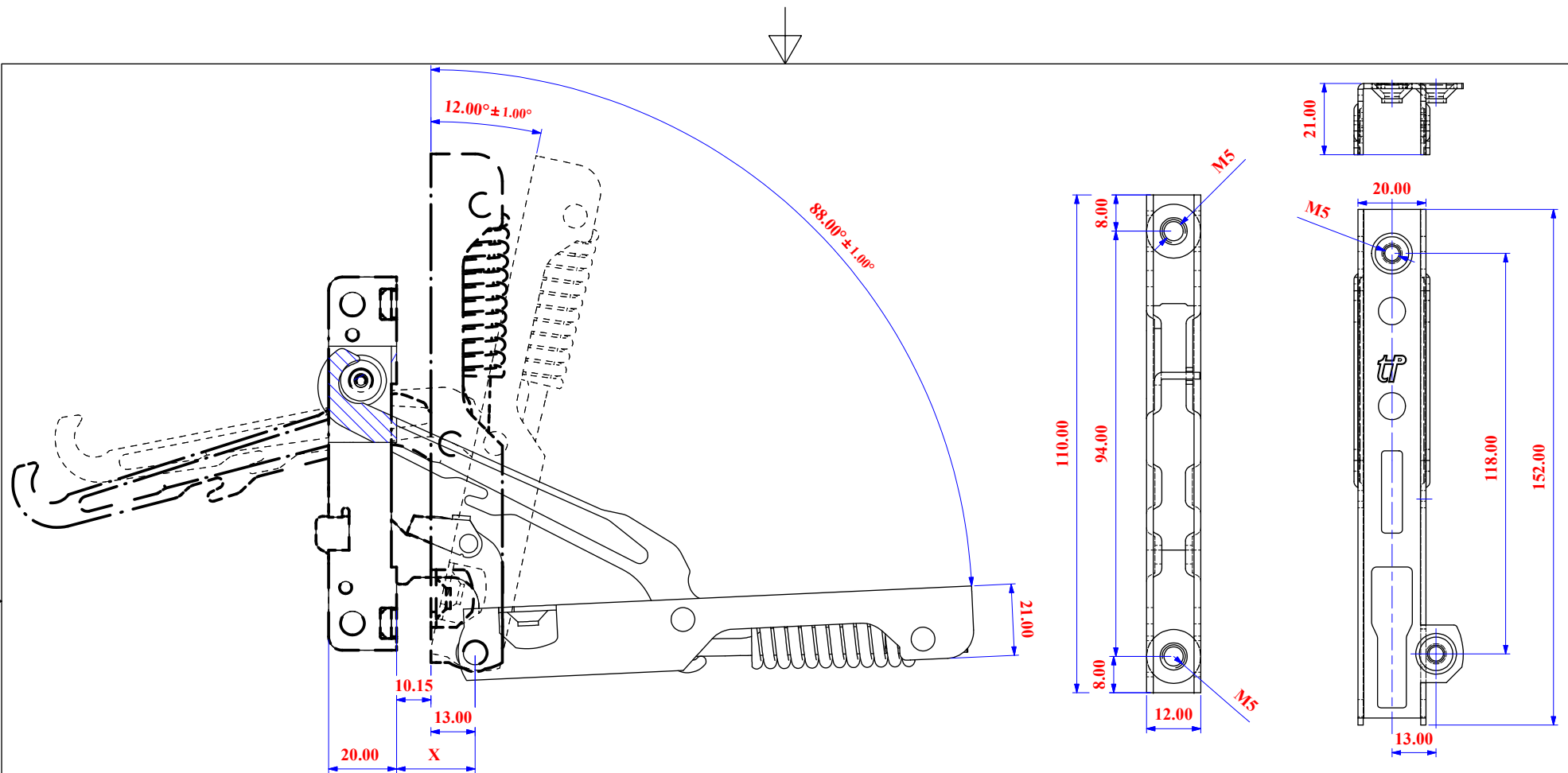
Total number of Coils :12
Extremity Grinded End

Working Load (6.5:9.5) Kgf.

Dim X : Can be Produced as per Client Request due to oven Dimension.

Dim. X = (23 :25)mm. (the most common value)

| \\192.168.1.2\Inventor-Dwg\Inv_2012\all hinges\old\MH38\MH38.iam | | | | | | | | | | | | | | |
|---|--------------------|------------------------------|--------|---------------|--------|--------------------------|-----------------|-------------------------|---------|---------|-------------------|------------------|----------|--|
| Tolerance acc. to DIN 7168-1 | Degree of Accuracy | 0.5 up to 3 | to 6 | to 30 | to 120 | to 400 | to 1000 | to 2000 | to 4000 | to 8000 | to 12000 | to 16000 | to 20000 | |
| | f (Fine) | ± 0.05 | ± 0.05 | ± 0.1 | ± 0.15 | ± 0.2 | ± 0.3 | ± 0.5 | ± 0.8 | ---- | ---- | ---- | ---- | |
| | m (Medium) | ± 0.1 | ± 0.1 | ± 0.2 | ± 0.3 | ± 0.5 | ± 0.8 | ± 1.2 | ± 2 | ± 3 | ± 4 | ± 5 | ± 6 | |
| Material | Net Weight | Treatment | | Checking Date | | Approval Date | | Designed by | | | | | | |
| DD11 | 0.257 kg | White Galv. (7:25 micron) | | 10.10.2016 | | 10.10.2016 | | Eng. Ashraf Md. Shabaan | | | | | | |
| Technical Co. for Eng. Ind. (Techno)  First Industrial Zone Plot No. 6, Block 13030 El Obour City, Cairo Egypt Tel. 0020244814232 44814253 44814354 44814445 Fax. 0020244814117 www.technopyramids.com info@technopyramids.com | | | | | | Item Code | MH38 | | | | | Checked by | | |
| | | | | | | Item Group | FP1A | | | | | Eng. Ahmed Fathy | | |
| Technical Co. for Eng. Ind. (Techno)  First Industrial Zone Plot No. 6, Block 13030 El Obour City, Cairo Egypt Tel. 0020244814232 44814253 44814354 44814445 Fax. 0020244814117 www.technopyramids.com info@technopyramids.com | | | | | | Item Name | Main Door Hinge | | | | | Approved by | | |
| | | | | | | 38 موديل باب فرن - موديل | | اسم المنتج | | | Eng. Md Md Hanafy | | | |
| | | | | | | Edition | Sheet | | | | | | | |
| | | | | | | 1 | 19 / 27 | | | | | | | |



Spring Code : S0116232650-A
spring Color : Plain

Wire Diameter : $\varnothing 3.2$ mm

External Diameter $\varnothing 16.2$ mm- Length : 65 mm



Total number of Coils : 12 3/4

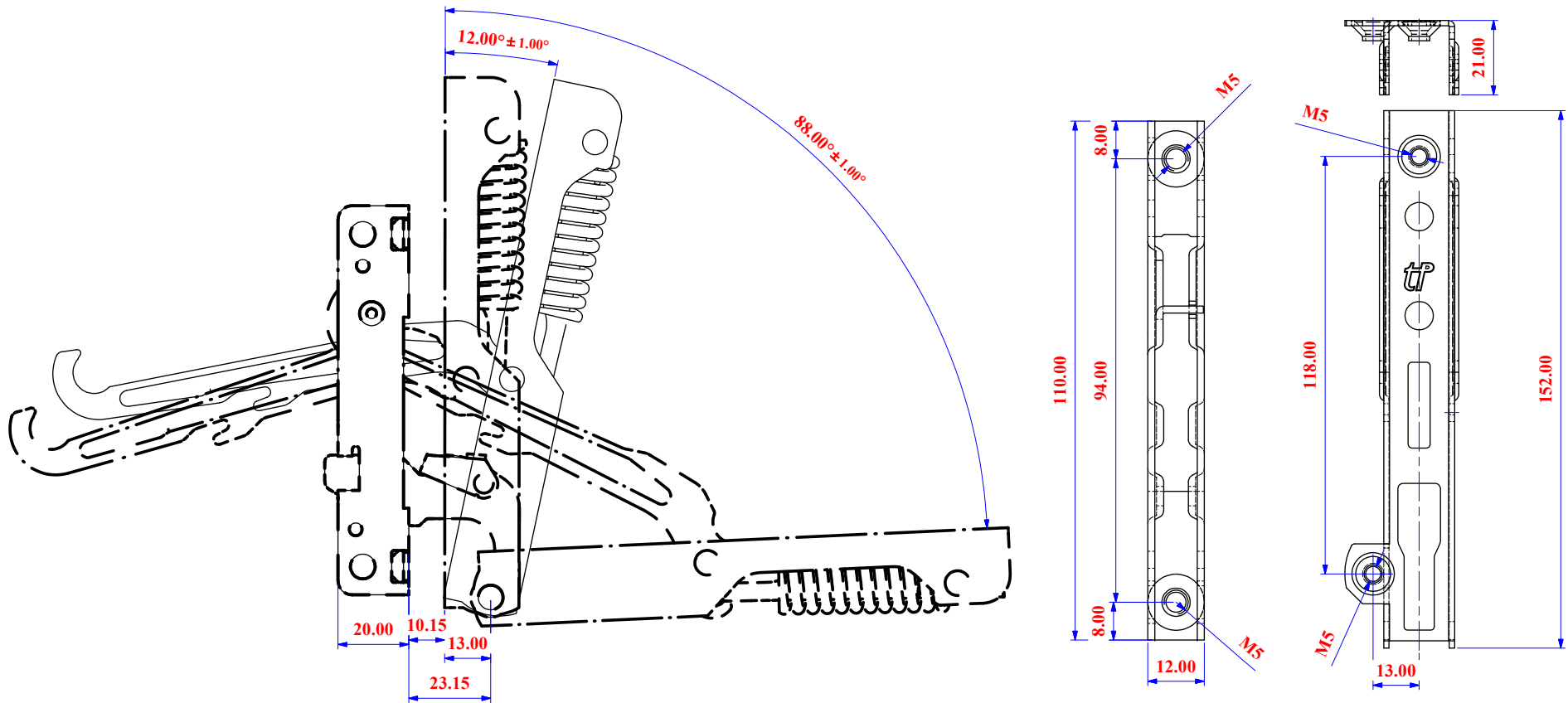
Extremity Grinded End

Working Load (6.5:9.5) Kgf.

Dim X : Can be Produced as per Client Request due to oven Dimension.

Dim. X = (23 :25)mm. (the most common value)

| \\192.168.1.2\Inventor-Dwg\Inv_2012\all hinges\MH43\MH43.iam | | | | | | | | | | | | | |
|---|--------------------|------------------------------|---------------|---------------|----------------------------------|-----------------|---------|------------|---------|---------|----------|----------|----------|
| Tolerance acc. to DIN 7168-1 | Degree of Accuracy | 0.5 up to 3 | to 6 | to 30 | to 120 | to 400 | to 1000 | to 2000 | to 4000 | to 8000 | to 12000 | to 16000 | to 20000 |
| | f (Fine) | ± 0.05 | ± 0.05 | ± 0.1 | ± 0.15 | ± 0.2 | ± 0.3 | ± 0.5 | ± 0.8 | ---- | ---- | ---- | ---- |
| | m (Medium) | ± 0.1 | ± 0.1 | ± 0.2 | ± 0.3 | ± 0.5 | ± 0.8 | ± 1.2 | ± 2 | ± 3 | ± 4 | ± 5 | ± 6 |
| Material | Net Weight | Treatment | Checking Date | Approval Date | Designed by | | | | | | | | |
| DD11 | 0.257 kg | White Galv. (7:25 micron) | 08.09.2016 | 08.09.2016 | Eng. Ashraf Md. Shabaan | | | | | | | | |
| Technical Co. for Eng. Ind. (Techno)  First Industrial Zone Plot No. 6, Block 13030 El Obour City, Cairo Egypt Tel. 0020244814232 44814253 44814354 44814445 Fax. 0020244814117 www.technopyramids.com info@technopyramids.com | | | | | Item Code | MH43 | | | | | | | |
| | | | | | Item Group | FP1A | | | | | | | |
| Checked by Eng. Ahmed Fathy | | | | | Item Name | Main Door Hinge | | | | | | | |
| | | | | | Approved by Eng. Md Md Hanafy | | | | | Edition | Sheet | | |
|  | | | | | مفصلة باب فرن 55× 55 يمين | | | اسم المنتج | | | 1 | 20 / 27 | |



Spring Code : S0116232650-A
spring Color : Plain

Wire Diameter : \varnothing 3.2 mm

External Diameter \varnothing 16.2 mm- Length : 65 mm

Total number of Coils : 12 3/4



Extremity Grinded End

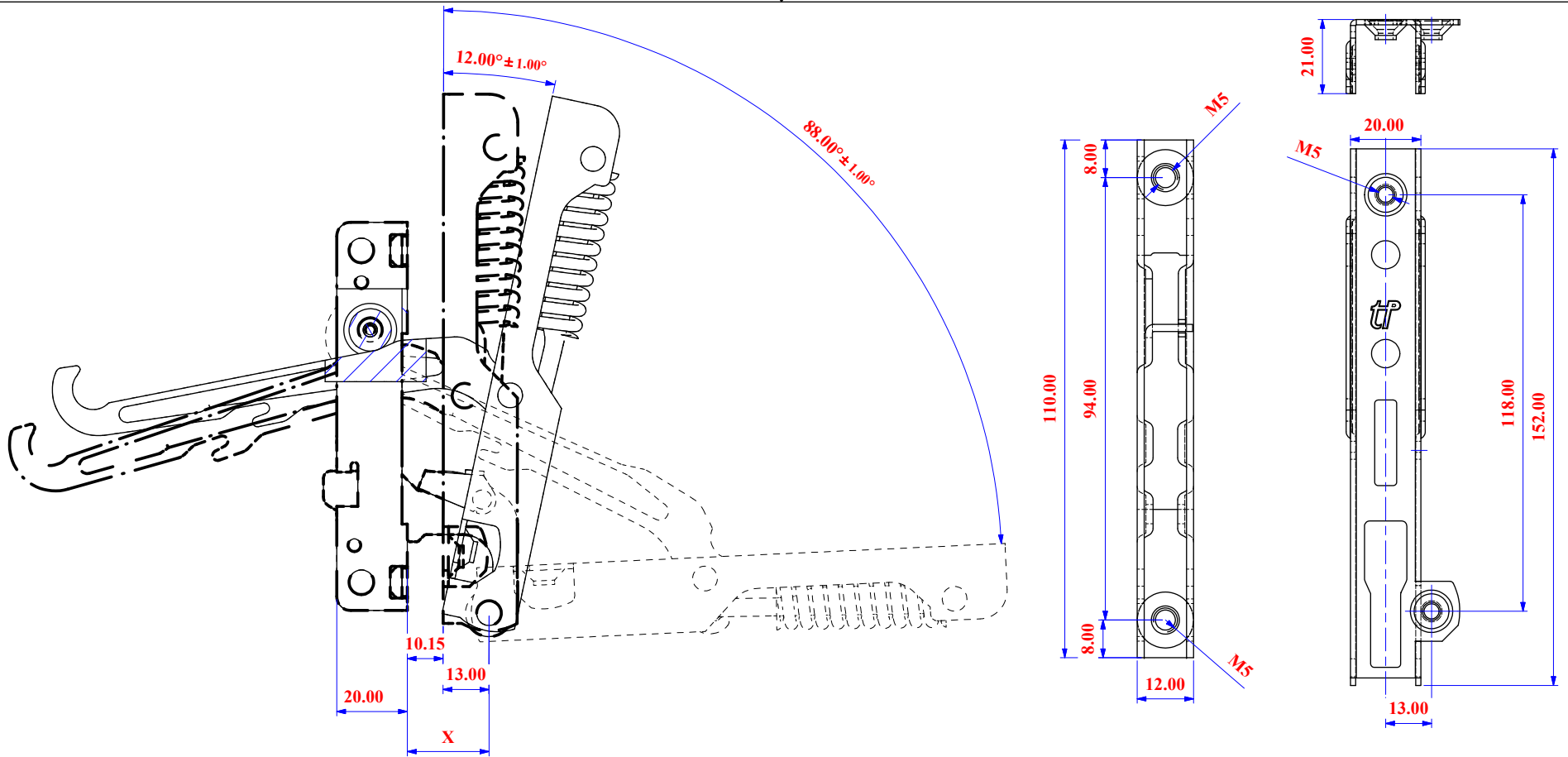
Working Load (6.5:9.5) Kgf.

Dim X : Can be Produced as per Client Request due to oven Dimension.

Dim. X = (23 :25)mm. (the most common value)

\\192.168.1.2\Inventor-Dwg\Inv_2012\all hinges\MH34\MB112013100.ipt


| Tolerance acc. to DIN 7168-1 | Degree of Accuracy | 0.5 up to 3 | to 6 | to 30 | to 120 | to 400 | to 1000 | to 2000 | to 4000 | to 8000 | to 12000 | to 16000 | to 20000 |
|---|--------------------|------------------------------|--------|--------------------------|-----------------|---------------|---------|-------------------------|-------------------|------------------|----------|----------|----------|
| | f (Fine) | ± 0.05 | ± 0.05 | ± 0.1 | ± 0.15 | ± 0.2 | ± 0.3 | ± 0.5 | ± 0.8 | ---- | ---- | ---- | ---- |
| | m (Medium) | ± 0.1 | ± 0.1 | ± 0.2 | ± 0.3 | ± 0.5 | ± 0.8 | ± 1.2 | ± 2 | ± 3 | ± 4 | ± 5 | ± 6 |
| Material | Net Weight | Treatment | | Checking Date | | Approval Date | | Designed by | | | | | |
| DD11 | 0.257 kg | White Galv. (7:25 micron) | | 08.09.2016 | | 08.09.2016 | | Eng. Ashraf Md. Shabaan | | | | | |
| Technical Co. for Eng. Ind. (Techno)  First Industrial Zone Plot No. 6, Block 13030 El Obour City, Cairo Egypt Tel. 0020244814232 44814253 44814354 44814445 Fax. 0020244814117 www.technopyramids.com info@technopyramids.com | | | | Item Code | MH44 | | | | | Checked by | | | |
| | | | | Item Group | FP1A | | | | | Eng. Ahmed Fathy | | | |
| Technical Co. for Eng. Ind. (Techno)  First Industrial Zone Plot No. 6, Block 13030 El Obour City, Cairo Egypt Tel. 0020244814232 44814253 44814354 44814445 Fax. 0020244814117 www.technopyramids.com info@technopyramids.com | | | | Item Name | Main Door Hinge | | | | | Approved by | | | |
| | | | | مفصلة باب فرن 55x55 يسار | | اسم المنتج | | | Eng. Md Md Hanafy | | | | |
| | | | | Edition | 1 | | | | | Sheet | | | |
| | | | | | | | | | 21 / 27 | | | | |

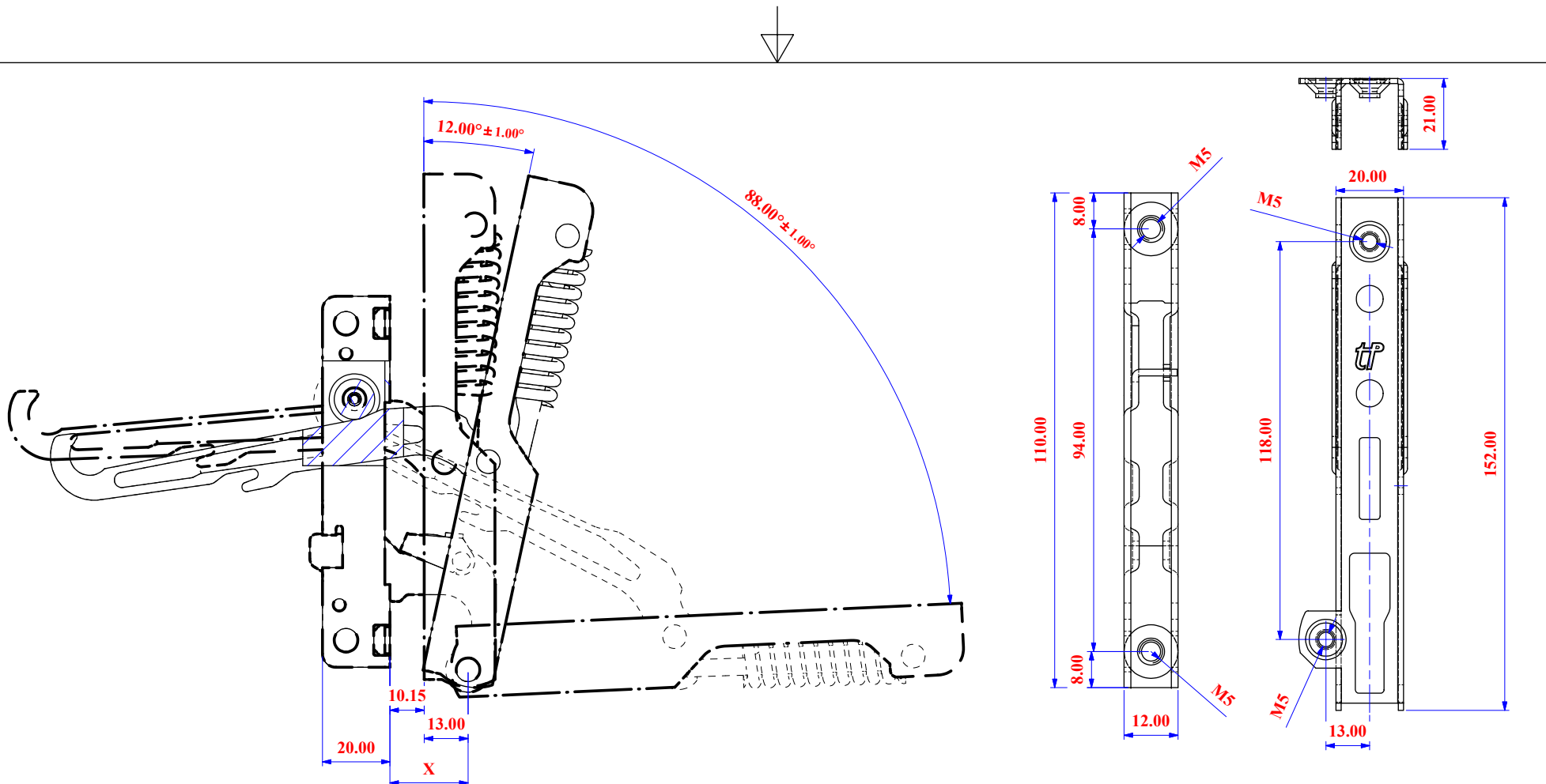


Spring Code : S01170325675-L
 spring Color : Plain
 Wire Diameter : ϕ 3.25 mm

External Diameter ϕ 16.8 mm- Length : 67.5 mm
 Total number of Coils : 11
 Extremity Grinded End

Working Load (6.5:9.5) Kgf.
 Dim X : Can be Produced as per Client Request due to oven
 Dimension.
 Dim. X = (23 :25)mm. (the most common value)

| \\192.168.1.2\Inventor-Dwg\Inv_2012\all hinges\MH48\MH48.iam | | | | | | | | | | | | | |
|--|--------------------|------------------------------|--------|---------------|--------|----------------------|---------|-------------------------|---------|---------|-------------------|----------|----------|
| Tolerance acc. to DIN 7168-1 | Degree of Accuracy | 0.5 up to 3 | to 6 | to 30 | to 120 | to 400 | to 1000 | to 2000 | to 4000 | to 8000 | to 12000 | to 16000 | to 20000 |
| | f (Fine) | ± 0.05 | ± 0.05 | ± 0.1 | ± 0.15 | ± 0.2 | ± 0.3 | ± 0.5 | ± 0.8 | --- | --- | --- | --- |
| | m (Medium) | ± 0.1 | ± 0.1 | ± 0.2 | ± 0.3 | ± 0.5 | ± 0.8 | ± 1.2 | ± 2 | ± 3 | ± 4 | ± 5 | ± 6 |
| Material | Net Weight | Treatment | | Checking Date | | Approval Date | | Designed by | | | | | |
| DD11 | 0.257 kg | White Galv. (7:25 micron) | | 08.09.2016 | | 08.09.2016 | | Eng. Ashraf Md. Shabaan | | | | | |
| Technical Co. for Eng. Ind. (Techno)  | | | | Item Code | | MH48 | | | | | Checked by | | |
| | | | | Item Group | | FP1A | | | | | Eng. Ahmed Fathy | | |
| First Industrial Zone Plot No. 6, Block 13030 El Obour City, Cairo Egypt Tel. 0020244814232 44814253 44814354 44814445 Fax. 0020244814117 www.technopyramids.com info@technopyramids.com | | | | Item Name | | Main Door Hinge | | | | | Approved by | | |
| | | | | اسم المنتج | | مفصلة باب فرن 60x 60 | | | | | Eng. Md Md Hanafy | | |
| | | | | Edition | | 1 | | | | | Sheet | | |
| | | | | | | | | | | | 22 / 27 | | |



Spring Code : S01170325675-L
spring Color : Plain

Wire Diameter : \varnothing 3.25 mm



External Diameter \varnothing 16.8 mm- Length : 67.5 mm

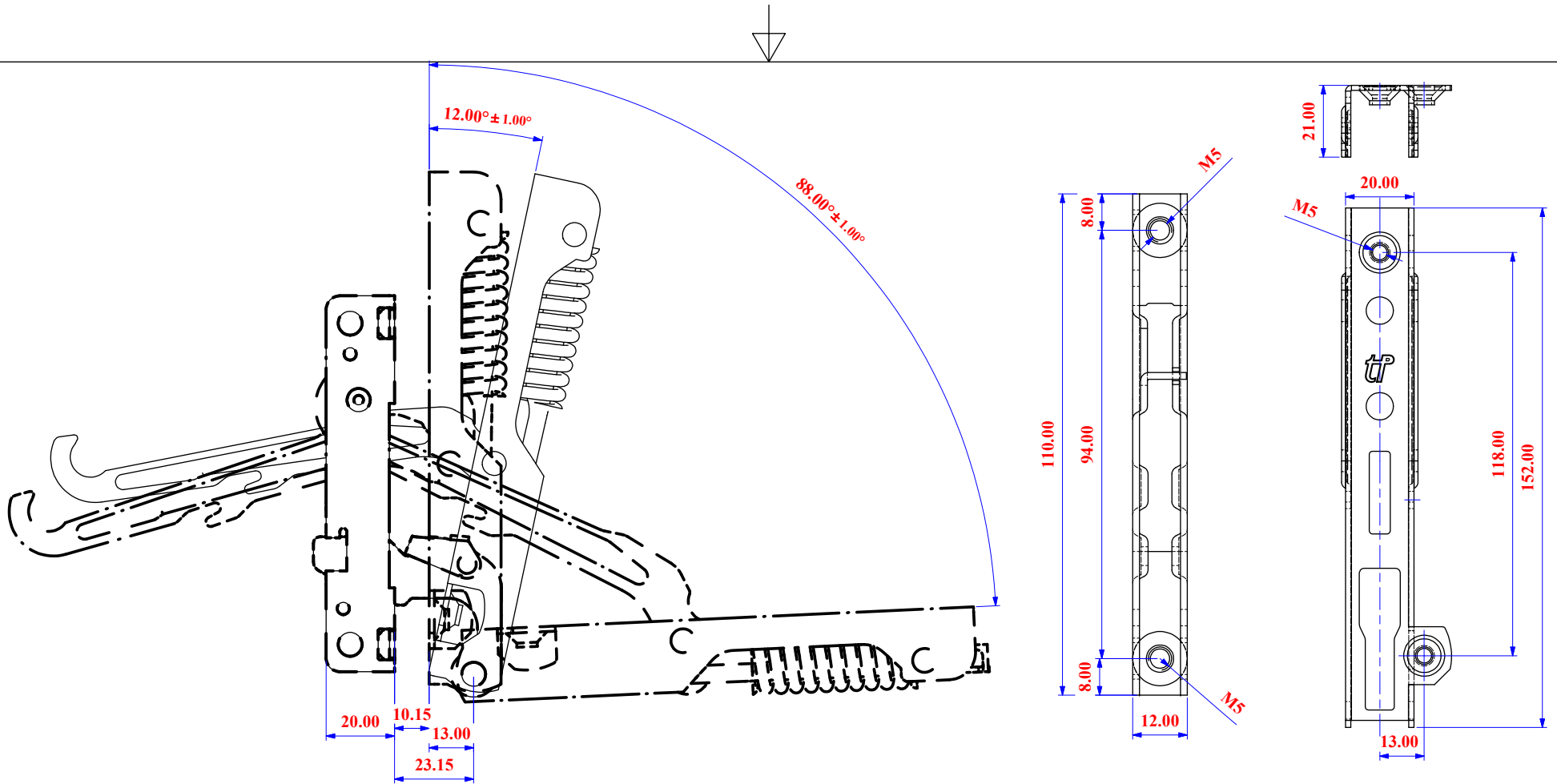
Total number of Coils : 11
Extremity Grinded End

Working Load (6.5:9.5) Kgf.

Dim X : Can be Produced as per Client Request due to oven Dimension.

Dim. X = (23 :25)mm. (the most common value)

| \\192.168.1.2\Inventor-Dwg\Inv_2012\all hinges\MH49\MH49.iam | | | | | | | | | | | | | | |
|---|--------------------|------------------------------|---------------|---------------|-------------------------|---------------------------------|---------|---------|---------|---------|----------|----------|----------|--|
| Tolerance acc. to DIN 7168-1 | Degree of Accuracy | 0.5 up to 3 | to 6 | to 30 | to 120 | to 400 | to 1000 | to 2000 | to 4000 | to 8000 | to 12000 | to 16000 | to 20000 | |
| | f (Fine) | ± 0.05 | ± 0.05 | ± 0.1 | ± 0.15 | ± 0.2 | ± 0.3 | ± 0.5 | ± 0.8 | ---- | ---- | ---- | ---- | |
| | m (Medium) | ± 0.1 | ± 0.1 | ± 0.2 | ± 0.3 | ± 0.5 | ± 0.8 | ± 1.2 | ± 2 | ± 3 | ± 4 | ± 5 | ± 6 | |
| Material | Net Weight | Treatment | Checking Date | Approval Date | Designed by | | | | | | | | | |
| DD11 | 0.257 kg | White Galv. (7:25 micron) | 09.08.2016 | 09.08.2016 | Eng. Ashraf Md. Shabaan | | | | | | | | | |
| Technical Co. for Eng. Ind. (Techno)  First Industrial Zone Plot No. 6, Block 13030 El Obour City, Cairo Egypt Tel. 0020244814232 44814253 44814354 44814445 Fax. 0020244814117 www.technopyramids.com info@technopyramids.com | | | | | Item Code | MH49 | | | | | | | | |
| | | | | | Item Group | FP1A | | | | | | | | |
| Checked by Eng. Ahmed Fathy | | | | | Item Name | Main Door Hinge | | | | | | | | |
| | | | | | Approved by | Eng. Md Md Hanafy | | | | | | | | |
|  Edition Sheet | | | | | Item Name | مفصلة باب فرن 60x 60 اسم المنتج | | | | | | | | |
| | | | | | 1 | 23 / 27 | | | | | | | | |



Spring Code : S0117036710-A-YG
spring Color :Plain

Wire Diameter : \varnothing 3.6 mm

External Diameter \varnothing 16.8 mm- Length : 66 mm


Total number of Coils :12

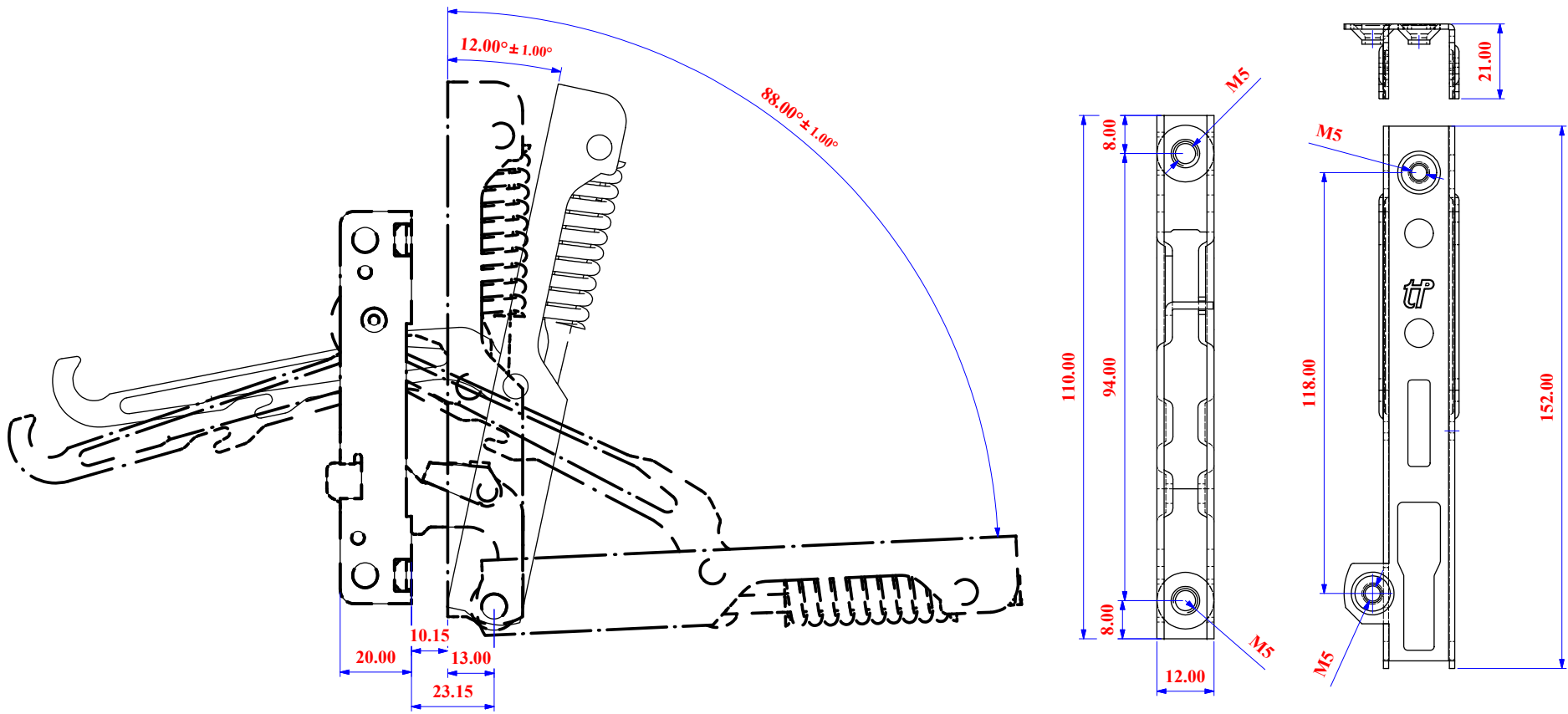
Extremity Grinded End

Working Load (10:14) Kgf.

Dim X : Can be Produced as per Client Request due to oven Dimension.

Dim. X = (23 :25)mm. (the most common value)

| \\192.168.1.2\Inventor-Dwg\Inv_2012\all hinges\MH34\MB112013100.ipt | | | | | | | | | | | | | | |
|---|--------------------|------------------------------|---------------|---------------|-------------------------|--------|---------|------------|-------------------|------------------|----------|----------|----------|--|
| Tolerance acc. to DIN 7168-1 | Degree of Accuracy | 0.5 up to 3 | to 6 | to 30 | to 120 | to 400 | to 1000 | to 2000 | to 4000 | to 8000 | to 12000 | to 16000 | to 20000 | |
| | f (Fine) | ± 0.05 | ± 0.05 | ± 0.1 | ± 0.15 | ± 0.2 | ± 0.3 | ± 0.5 | ± 0.8 | ---- | ---- | ---- | ---- | |
| | m (Medium) | ± 0.1 | ± 0.1 | ± 0.2 | ± 0.3 | ± 0.5 | ± 0.8 | ± 1.2 | ± 2 | ± 3 | ± 4 | ± 5 | ± 6 | |
| Material | Net Weight | Treatment | Checking Date | Approval Date | Designed by | | | | | | | | | |
| DD11 | 0.257 kg | White Galv. (7:25 micron) | 08.09.2016 | 08.09.2016 | Eng. Ashraf Md. Shabaan | | | | | | | | | |
| Technical Co. for Eng. Ind. (Techno)  First Industrial Zone Plot No. 6, Block 13030 El Obour City, Cairo Egypt Tel. 0020244814232 44814253 44814354 44814445 Fax. 0020244814117 www.technopyramids.com info@technopyramids.com | | | | | Item Code | MH50 | | | | Checked by | | | | |
| | | | | | Item Group | FP1A | | | | Eng. Ahmed Fathy | | | | |
| Item Name | Main Door Hinge | | | | Approved by | | | | Eng. Md Md Hanafy | | | | | |
| مفصلة باب فرن 80 × 60 | | | | | | | | اسم المنتج | | Edition | Sheet | | | |
| | | | | | | | | | | 1 | 24 / 27 | | | |



Spring Code : S01170306710-A-YG
spring Color :Plain

Wire Diameter : \varnothing 3.6 mm



External Diameter \varnothing 16.8 mm- Length : 66 mm

Total number of Coils :12
Extremity Grinded End

Working Load (10:14) Kgf .

Dim X : Can be Produced as per Client Request due to oven Dimension.

Dim. X = (23 :25)mm. (the most common value)

| \\192.168.1.2\Inventor-Dwg\Inv_2012\all hinges\MH34\MB112013100.ipt | | | | | | | | | | | | | |
|---|--------------------|------------------------------|--------|---------------|--------|-----------------------|---------|-------------------------|---------|---------|----------|----------|----------|
| Tolerance acc. to DIN 7168-1 | Degree of Accuracy | 0.5 up to 3 | to 6 | to 30 | to 120 | to 400 | to 1000 | to 2000 | to 4000 | to 8000 | to 12000 | to 16000 | to 20000 |
| | f (Fine) | ± 0.05 | ± 0.05 | ± 0.1 | ± 0.15 | ± 0.2 | ± 0.3 | ± 0.5 | ± 0.8 | ---- | ---- | ---- | ---- |
| | m (Medium) | ± 0.1 | ± 0.1 | ± 0.2 | ± 0.3 | ± 0.5 | ± 0.8 | ± 1.2 | ± 2 | ± 3 | ± 4 | ± 5 | ± 6 |
| Material | Net Weight | Treatment | | Checking Date | | Approval Date | | Designed by | | | | | |
| DD11 | 0.257 kg | White Galv. (7:25 micron) | | 09.08.2016 | | 09.08.2016 | | Eng. Ashraf Md. Shabaan | | | | | |
| Technical Co. for Eng. Ind. (Techno)  First Industrial Zone Plot No. 6, Block 13030 El Obour City, Cairo Egypt Tel. 0020244814232 44814253 44814354 44814445 Fax. 0020244814117 www.technopyramids.com info@technopyramids.com | | | | Item Code | MH51 | | | | | | | | |
| | | | | Item Group | FP1A | | | | | | | | |
| Item Name Main Door Hinge | | | | Checked by | | Eng. Ahmed Fathy | | | | | | | |
| | | | | Approved by | | Eng. Md Md Hanafy | | | | | | | |
|  | | | | Edition | 1 | | | | | Sheet | 25 / 27 | | |
| | | | | اسم المنتج | | مفصلة باب فرن 80 × 60 | | | | | | | |