

Spring Code :S0116835660-A-WG
spring Color : White

Wire Diameter : $\varnothing 3.5$ mm



External Diameter $\varnothing 16.8$ mm- Length : 66 mm

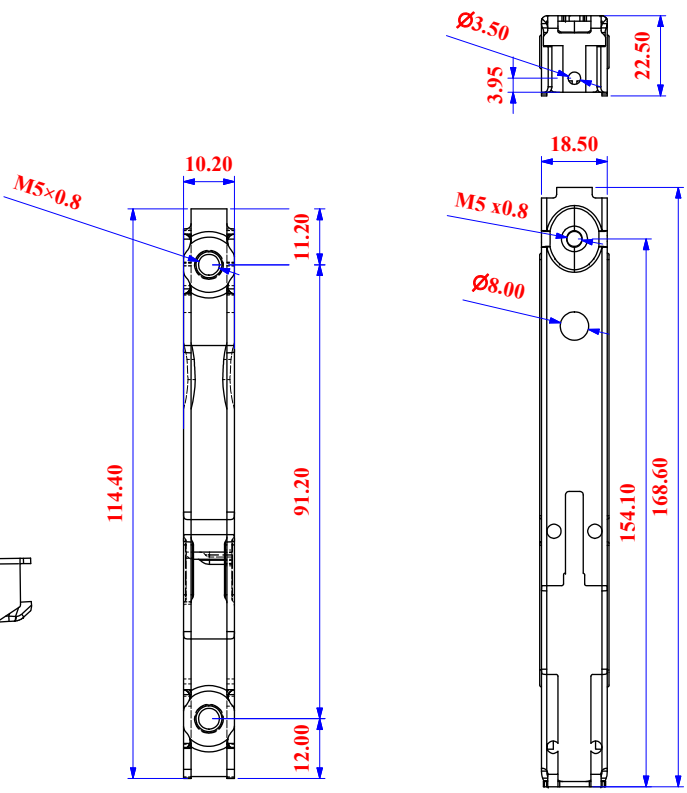
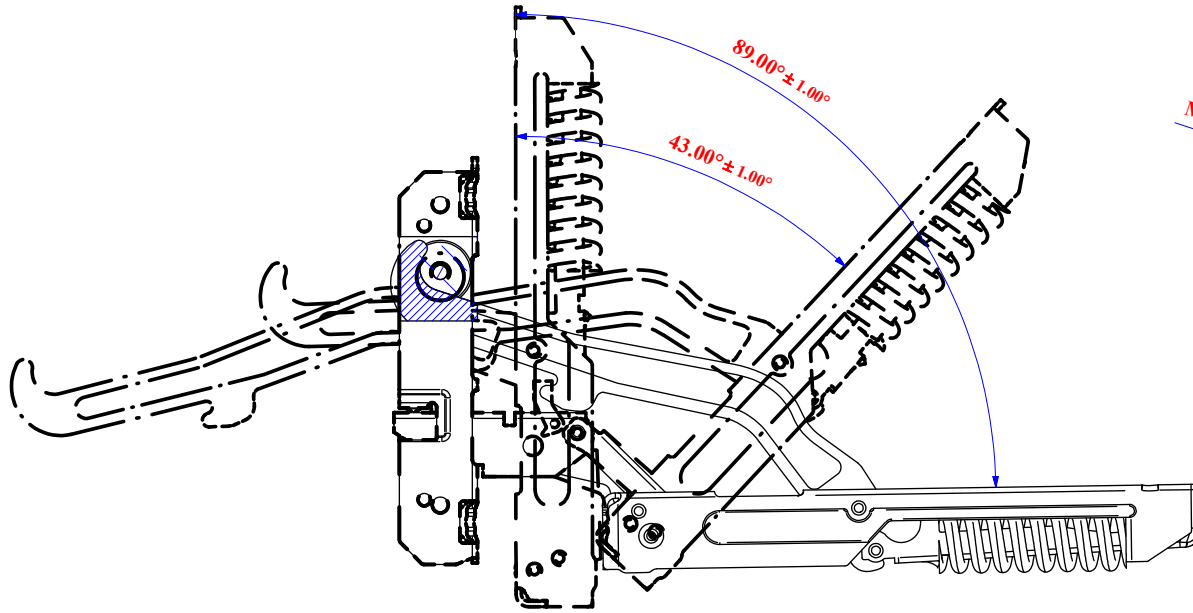
Total number of Coils :12
Extremity Grinded End

Working Load (6.5:9.5) Kgf.

Dim X : Can be Produced as per Client Request due to oven Dimension.

Dim. X = (23 :25)mm. (the most common value)

\\192.168.1.2\Inventor-Dwg\Inv_2012\universal new oven hinge -2013\NEW HINGS\mu01..iam													
Tolerance acc. to DIN 7168-1	Degree of Accuracy	0.5 up to 3	to 6	to 30	to 120	to 400	to 1000	to 2000	to 4000	to 8000	to 12000	to 16000	to 20000
	f (Fine)	± 0.05	± 0.05	± 0.1	± 0.15	± 0.2	± 0.3	± 0.5	± 0.8	----	----	----	----
	m (Medium)	± 0.1	± 0.1	± 0.2	± 0.3	± 0.5	± 0.8	± 1.2	± 2	± 3	± 4	± 5	± 6
Material	Net Weight	Treatment	Checking Date	Approval Date	Designed by								
DD11	0.285 Kg	White Galvanized (7:25 micron)	09.08.2016	09.08.2016	Eng. Ashraf Md. Shabaan								
Technical Co. for Eng. Ind. (Techno)  First Industrial Zone Plot No. 6, Block 13030 El Obour City, Cairo Egypt Tel. 0020244814232 44814253 44814354 44814445 Fax. 0020244814117 www.technopyramids.com info@technopyramids.com					Item Code	Checked by							
					MU01	Eng. Ahmed Fathy							
Item Group FPIA Item Name Main Door Hinge					Approved by								
					Eng. Md Md Hanafy								
 Edition 1 Sheet 1 / 2					اسم المنتج		مفصلة باب الفرن الرئيسية الجديدة						



Spring Code :S0116835660-A-WG
spring Color : White

Wire Diameter : \varnothing 3.5 mm


External Diameter \varnothing 16.8mm- Length : 66 mm

Total number of Coils :12
Extremity Grinded End

Working Load (6.5:9.5) Kgf.

Dim X : Can be Produced as per Client Request due to oven Dimension.

Dim. X = (23 :25)mm. (the most common value)

\\192.168.1.2\Inventor-Dwg\Inv_2012\universal new oven hinge -2013\NEW HINGS\mu02.iam														
Tolerance acc. to DIN 7168-1	Degree of Accuracy	0.5 up to 3	to 6	to 30	to 120	to 400	to 1000	to 2000	to 4000	to 8000	to 12000	to 16000	to 20000	
	f (Fine)	± 0.05	± 0.05	± 0.1	± 0.15	± 0.2	± 0.3	± 0.5	± 0.8	----	----	----	----	
	m (Medium)	± 0.1	± 0.1	± 0.2	± 0.3	± 0.5	± 0.8	± 1.2	± 2	± 3	± 4	± 5	± 6	
Material	Net Weight	Treatment	Checking Date	Approval Date	Designed by									
DD11	0.285 Kg	White Galvanized (7:25 micron)	8.08.2016	9.08.2016	Eng. Ashraf Md. Shabaan									
Technical Co. for Eng. Ind. (Techno)  First Industrial Zone Plot No. 6, Block 13030 El Obour City, Cairo Egypt Tel. 0020244814232 44814253 44814354 44814445 Fax. 0020244814117 www.technopyramids.com info@technopyramids.com					Item Code	Checked by								
					MU02	Eng. Ahmed Fathy								
Item Group FP1A Item Name Main Door Hinge					Approved by									
					Eng. Md Md Hanafy									
MU02 بفتحة باب الفرن الرئيسية الجديدة					Item Name	Edition								
					Sheet									
					1	2 / 2								